

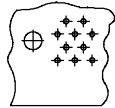
HSF RoHS

SPECIFICATIONS

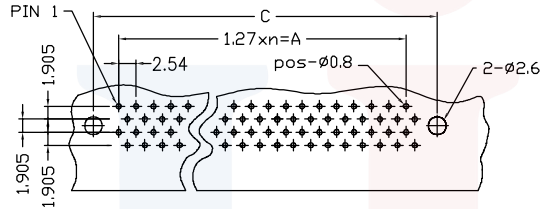
Rated Current:1.0AMP
 Contact Resistance:35mΩ Max
 Withstand Voltage:500V AC/DC
 Insulation Resistance:500MΩ Min
 Operation Temperature:-40°C to +105°C

Contact Material:Phosphor bronze
 Contact Plating:Au or Sn Over Ni
 Insulator Material:Polyester(UL94V-0)
 Standard: LCP
 Max.Processing Temp: 230°C for 30-60 seconds
 (260°C for 10 seconds)

RECOMMENDED PC BOARD MOUNTING DIMENSIONS COMPONENT SIDE



FOR 30, 50 POSITIONS ONLY



FOR 20, 40, 60, 68, 80, 100, 120 POSITIONS ONLY

Ordering Information

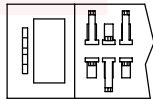
6314-F XXX S D XX P N A 01

No. of Pins
 20,30,40,50,
 60,68,80,100,120P

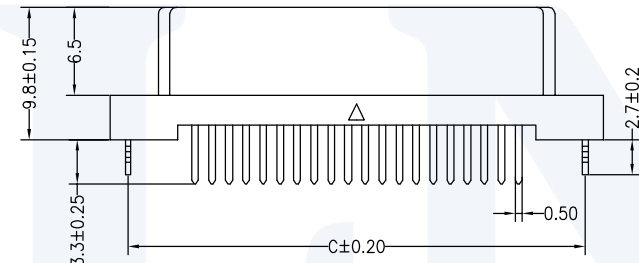
Connector Type
 S: Straight

Contact Plating
 G0: Gold Flash
 S0: Gold / Tin
 S1: 3U" Gold / Tin
 S2: 5U" Gold / Tin
 S3: 10U" Gold / Tin
 S4: 15U" Gold / Tin
 S5: 30U" Gold / Tin

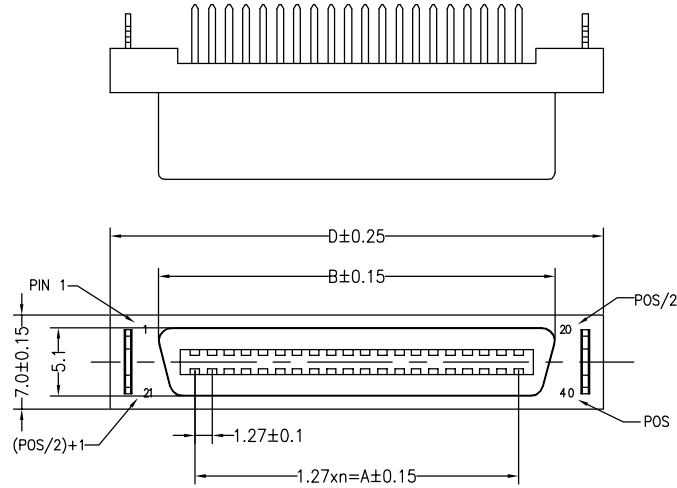
Packing
 A: Tray



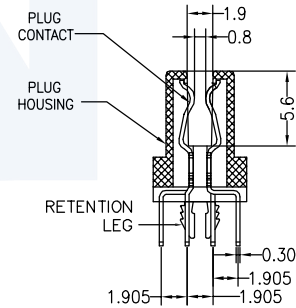
FOR 30, 50 POS



FOR 20, 40, 60, 68, 80, 100, 120 POS



120	74.93	80.30	84.90	87.55	59
100	62.23	67.60	72.20	74.85	49
80	49.53	54.90	59.50	62.13	39
68	41.91	47.28	51.88	54.53	33
60	36.83	42.20	46.80	49.45	29
50	30.48	35.85	40.45	43.10	24
40	24.13	29.50	34.10	36.70	19
30	17.78	23.15	27.75	30.35	14
20	11.43	16.80	21.40	24.00	9
POS	A	B	C	D	n



				OPERATION		DRAW	Yiyusheng	18.07.19	SCALE	FIT	JILN® 深圳市锦凌电子有限公司 SHENZHEN JINLING ELECTRONICS CO.,LTD Tel: 86-755-2997-5806 Fax: 86-755-2997-5992	
				X.X	±0.30				UNIT	mm		
				X.XX	±0.20	CHECK			SIZE	A4	PART NO. 6314FXXXSDXXPNA01	
				X.XXX	±0.10							
				Angle	±3°	APPROVE			SHEET	1/1	TITLE: SCSL Female NPin All-Plastic 180°	
				DIM	TOL							
A0	2018.07.19	NEW DRAWING										
REV	DATE	MODIFICATION DESCRIPTION		CHANGE								