

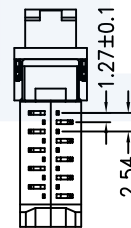
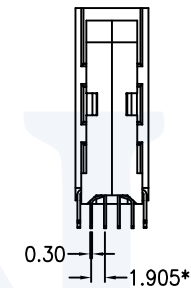
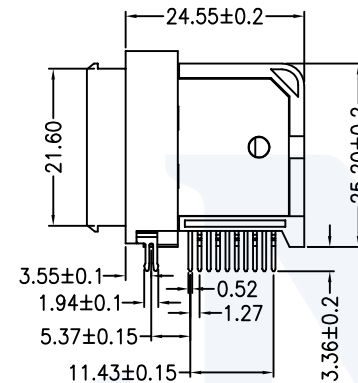
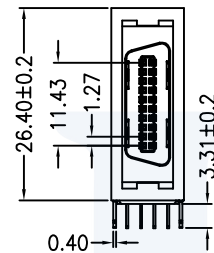
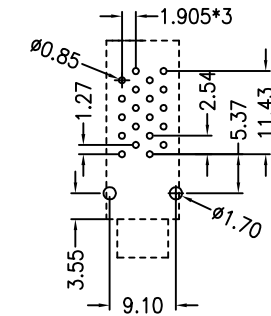
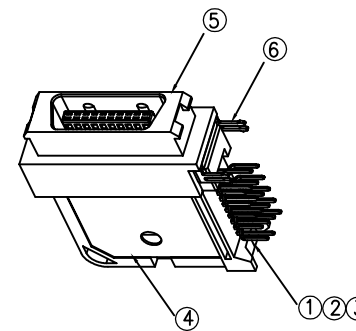
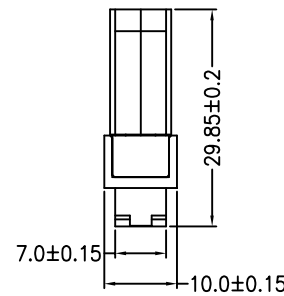
HSF RoHS

SPECIFICATIONS

Rated Current:1.0AMP
 Contact Resistance:35mΩ Max
 Withstand Voltage:500V AC/DC
 Insulation Resistance:500MΩ Min
 Operation Temperature:-40°C to +105°C

Contact Material:Phosphor Bronze
 Contact Area Plated:Au or Sn Over Ni
 Shell Material:Zinc copper
 Insulator Material:PBT (UL94V-0) Black
 Max.Processing Temp: 180°C for 30-60 seconds
 (200°C for 10 seconds)

Recommended P.C.B Layout(Top Side)
 (PCB BOARD TOLERANCE±0.05)



Ordering Information

6331-M 020 R D XX MW T 01

No.of Pins: 20P
 Contact Plating: G4:3U* Gold, S2:3U* Gold /Tin
 Packing: A:Tray, T:Tube

Pin No.	Specification	Material	Q'TY	UNIT
①	Molding胶芯A(molding plastic)	PBT	PCS	1
②	Molding胶芯B(molding plastic)	PBT	PCS	1
③	端子(terminal)	C5191-EH	PCS	20
④	塑胶外壳(plastic shell)	PBT	PCS	1
⑤	锌合金外壳(outside shell)	zinc	PCS	1
⑥	鱼叉(Harpoon)	Brass	PCS	2

OPERATION	
X.X	±0.30
X.XX	±0.20
X.XXX	±0.10
Angle	±3°
DIM	TOL

DRAW	YiYuSheng	20.04.27
CHECK		
APPROVE		

SCALE	FIT
UNIT	mm
SIZE	A4
SHEET	1/1
PROJ.	◆

JILN® 深圳市锦凌电子有限公司
 SHENZHEN JINLING ELECTRONIC CO.,LTD
 Tel: 86-755-2997-5806/5802 Fax: 86-755-2997-5992

REV	DATE	MODIFICATION DESCRIPTION	CHANGE
A	2020.04.27	NEW DRAWING	

PART NO.	6331M020RDXXMWT01
TITLE:	SM-PCR 20P male 侧插 90°