

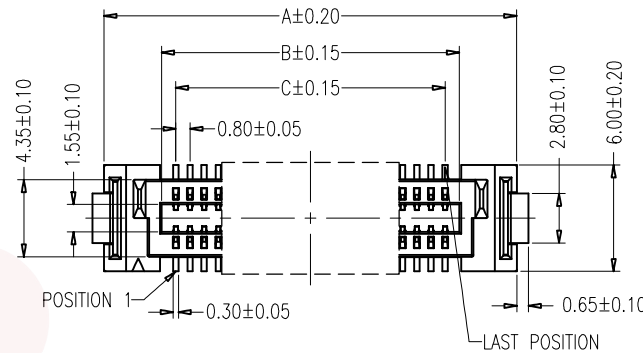
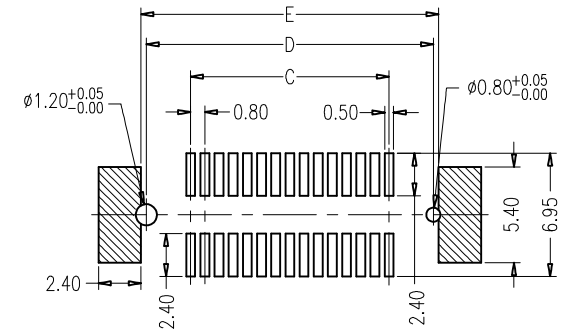
HSF RoHS

SPECIFICATIONS
PERFORMANCE

Electical Rating: AC/DC 50V 0.5A
 Insulation Resistance: 500MΩ Min
 Withstang Volt: 200V AC/minute
 Opratng Temperature: -40°C to +125°C
 Material

Contact: Phosphor Bronze Gold-Plated
 Housing: LCP
 Max.Processing Temp: 230°C for 30-60 seconds
 (260°C for 10 seconds)

Recommended P.C.B Layout(Top Side)
 (PCB BOARD TOLERANCE±0.05)

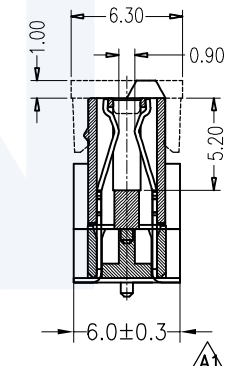
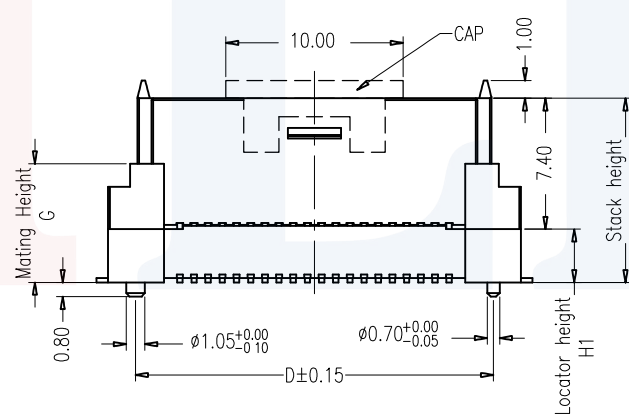


No. of Pins	Dimension					Dim H	Dim G	Dim H1
	A	B	C	D	E			
20	15.30	8.80	7.20	12.20	12.80	7.40	4.00	---
30	19.30	12.80	11.20	16.20	16.80	10.40	7.00	4.00
40	23.30	16.80	15.20	20.20	20.80	12.40	9.00	5.00
50	27.30	20.80	19.20	24.20	24.80	13.40	10.00	6.00
60	31.30	24.80	23.20	28.20	28.80			
80	39.30	32.80	31.20	36.20	36.80			
100	47.30	40.80	39.20	44.20	44.80			
120	55.30	48.80	47.20	52.20	52.80			
160	71.30	64.80	63.20	68.20	68.80			

Ordering Information

3711 F XXX XXX XX X X 01

F=Female M=Male
 No. of pins 20P~160P
 Plastic Hight 074=7.40mm
 Contact Plating G0:Gold Flash G1:3U* Gold G2:5U* Gold G3:10U* Gold G4:15U* Gold G5:30U* Gold S1:Gold Flash/Tin
 Insulator Material Option C=BK-PA6T D=BK-PA46 E=BK-PA9T F=BK-LCP
 Packing T=Tube P=Tube+Cap R=Reel+Cap



OPERATION		DRAW	yiyusheng	20.04.21
X.X	±0.30			
X.XX	±0.20	CHECK		
X.XXX	±0.10			
Angle	±3°	APPROVE		
DIM	TOL			

SCALE	FIT	PART NO.	
UNIT	mm	3711FXXXXXXXXXX01	
SIZE	A4	TITLE: 0.8BTB NPin Female heighten D-Type	
SHEET	1/1		
PROJ.	◆		

REV	DATE	MODIFICATION DESCRIPTION	CHANGE
A1	2020.04.21	Change SMT size 6.0±0.25 → 6.0±0.3	
A0	2018.05.28	NEW DRAWING	

JILN 深圳市锦凌电子有限公司
 SHENZHEN JINLING ELECTRONIC CO.,LTD
 Tel: 86-755-2997-5806/5802 Fax: 86-755-2997-5992