

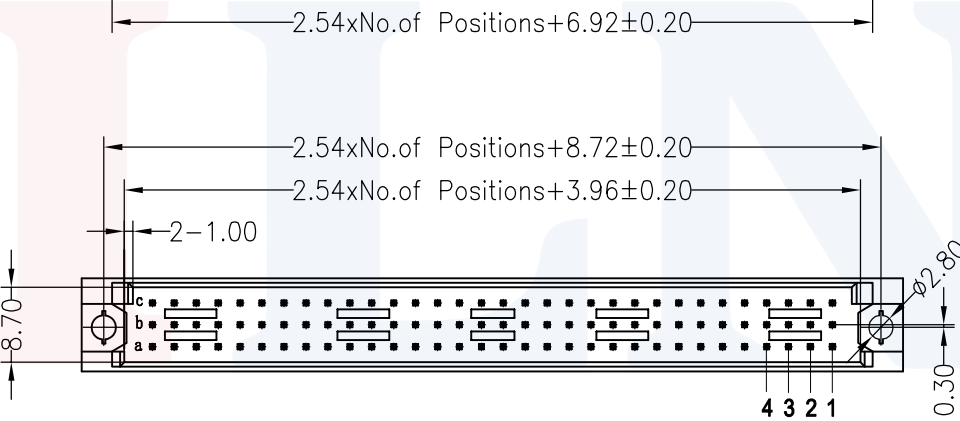
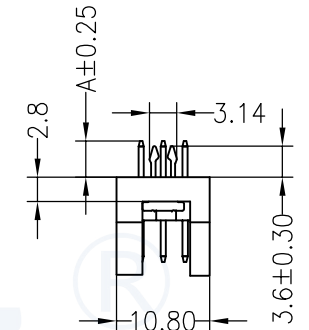
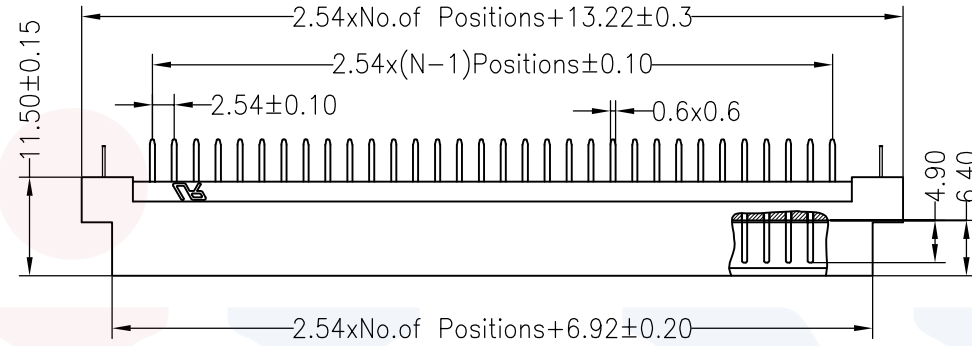
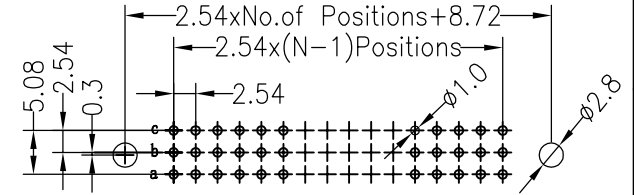


SPECIFICATIONS

Rated Current:3.0AMP
 Contact Resistance:30mΩ Max
 Withstand Voltage:1000V AC/DC
 Insulation Resistance:1000MΩ Min
 Operation Temperature:-40°C to +105°C

Contact Material:Brass
 Contact Plating:Au or Sn Over Ni
 Insulator Material:Polyester(UL94V-0)
 Standard: PBT
 Max.Processing Temp: 180°C for 30-60 seconds
 (200°C for 10 seconds)

Recommended P.C.B Layout(Top Side)
 (PCB BOARD TOLERANCE±0.05)



Ordering Information

35113 XX A M S XX BWA1

- No.of Pins: 21~120P
- Contact Type: F=Female, M=Male
- Contact Plating:
 - G0:Gold Flash
 - S0:Gold Flash/Tin
 - S1:2U" Gold/Tin
 - S2:5U" Gold/Tin
 - S3:10U" Gold/Tin
 - S4:15U" Gold/Tin
 - S5:30U" Gold/Tin
 - SN:Tin

Dimension antitheses list	
ITEM	A
Standard	4.00
Alternate	

				OPERATION		DRAW	YiYuSheng	12.04.10	SCALE	FIT	JILN ® 深圳市锦凌电子有限公司 SHENZHEN JINLING ELECTRONIC CO.,LTD Tel: 86-755-2997-5806/5802 Fax: 86-755-2997-5992	
				X.X	±0.30				UNIT	mm		
				X.XX	±0.20	CHECK		SIZE	A4	PART NO. 35113XXAMSXXBWA1		
				X.XXX	±0.10		SHEET	1/1				
A0	2012.04.10	NEW DRAWING		Angle	±3°	APPROVE		PROJ.		TITLE: DIN41612 3xNpin Male 180° with harpoon		
REV	DATE	MODIFICATION DESCRIPTION		DIM	TOL							