

HSF RoHS

SPECIFICATIONS

Rated Current:1.5AMP
 Contact Resistance:20mΩ Max
 Withstand Voltage:500V AC/DC
 Insulation Resistance:500MΩ Min
 Operation Temperature:-40°c to +105°c

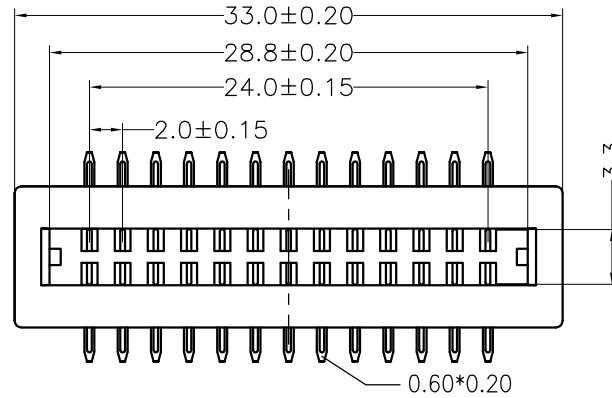
Contact Material:Phosphor bronze
 Contact Plating:Au or Sn Over Ni
 Insulator Material:Polyester(UL94V-0)
 Standard: PA9T
 Max.Processing Temp: 230°C for 30-60 seconds
 260°C for 10 seconds

Ordering Information

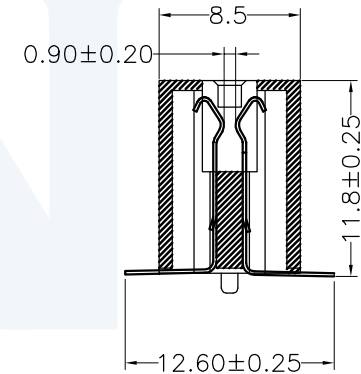
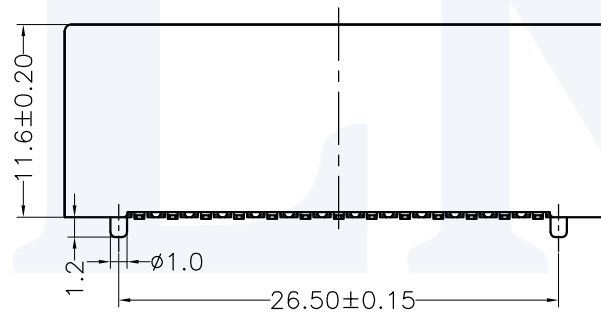
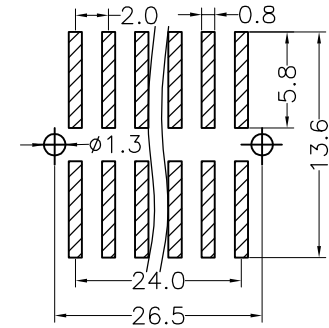
4400- 2 13 M G1 F E B W 01

No.of Pins
2x13P

Contact Plating
 G0:Gold Flash
 G1:1U" Gold
 G2:2U" Gold
 G3:3U" Gold
 G4:5U" Gold
 G5:10U" Gold



Recommended P.C.B Layout(Top Side)
(PCB BOARD TOLERANCE±0.05)



				OPERATION		DRAW	JinChengXin	17.11.24	SCALE	FIT	JILN ® 深圳市锦凌电子有限公司 SHENZHEN JINLING ELECTRONIC CO.,LTD Tel: 86-755-2997-5806/5802 Fax: 86-755-2997-5992	
				X.X	±0.30				UNIT	mm		
				X.XX	±0.20	CHECK			SIZE	A4	PART NO.	4400-213MG1FEBW01
				X.XXX	±0.10				SHEET	1/1	TITLE:	2.0金手指连接器 2X13P 母座 SMT 带柱
AO	2017.11.24	NEW DRAWING		Angle	±3°	APPROVE			PROJ.	☞		
REV	DATE	MODIFICATION DESCRIPTION		DIM	TOL							