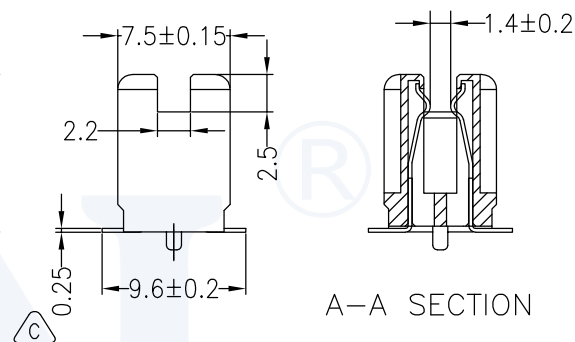
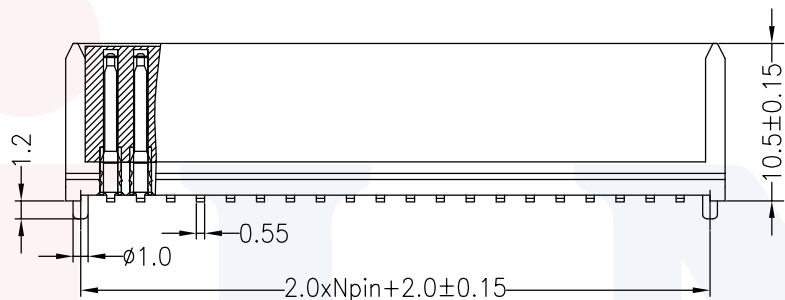
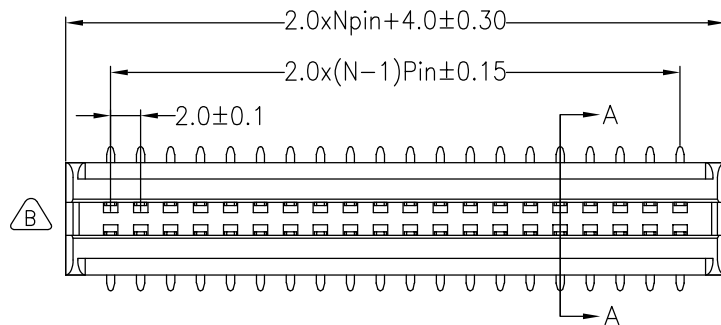


HSF RoHS

SPECIFICATIONS

Rated Current:3.0AMP
 Contact Resistance:20mΩ Max
 Withstand Voltage:1000V AC/DC
 Insulation Resistance:1000MΩ Min
 Operation Temperature:-40°C to +105°C

Contact Material:Phosphor bronze
 Contact Plating:Au or Sn Over Ni
 Insulator Material:Polyester(UL94V-0)
 Standard: PA9T
 Max.Processing Temp: 230°C for 30-60 seconds
 260°C for 10 seconds

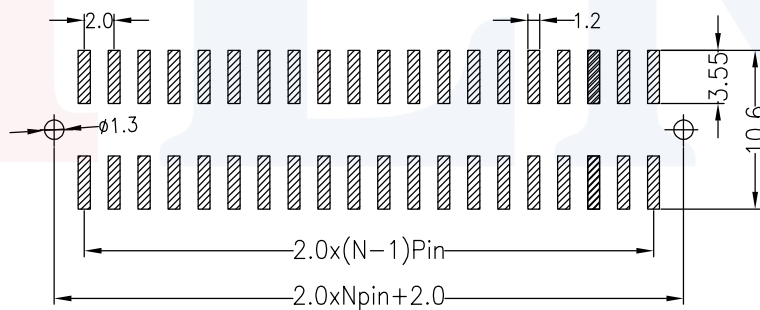


Ordering Information

4410- 2 XX M G1 F E B W 01

No.of Pins
 2x13P
 2x20P
 2x23P
 2x25P
 2x27P
 2x32P

Contact Plating
 G0:Gold Flash
 G1:1U" Gold
 G2:2U" Gold
 G3:3U" Gold
 G4:5U" Gold
 G5:10U" Gold



Recommended P.C.B Layout

REV	DATE	MODIFICATION DESCRIPTION	CHANGE	OPERATION		DRAW	yiyusheng	21.01.18	SCALE	FIT	JILN ® 深圳市锦凌电子有限公司 SHENZHEN JINLING ELECTRONIC CO.,LTD Tel: 86-755-2997-5806/5802 Fax: 86-755-2997-5992	
				X.X	±0.30				UNIT	mm		
C	2021.01.18	更改铜材料厚0.4 → 0.25mm		X.XX	±0.20	CHECK			SIZE	A4	PART NO.	4410-2XXMG1FEBW01
B	2020.03.20	两边加缺口		X.XXX	±0.10	APPROVE			SHEET	1/1	TITLE:	2.0加强型金手指连接器 母座 2xNpin H10.5 SMT 带柱
A	2019.07.09	NEW DRAWING		Angle	±3°		PROJ.					