

HSF RoHS

SPECIFICATIONS

Rated(额定参数): 300V,10A
 Dielectric strength(抗电强度): AC2000V/1 Minute
 Insulation Resistance(绝缘电阻):1000MΩ Min
 Contact Resistance(接触电阻):20mΩ Max
 Screw Torque(扭矩): 0.4Nm (3.5Lb.in)
 Wire Range(线径):12~24AWG
 Strip length(剥线长度):6~7mm
 Temp. range(操作温度): -40℃~+105℃
 MAX Soldering(瞬时温度):+250℃,5s

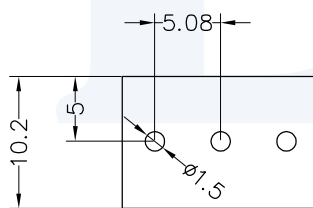
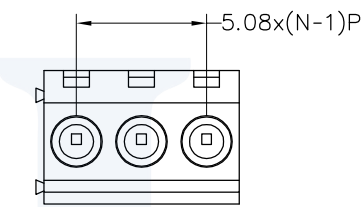
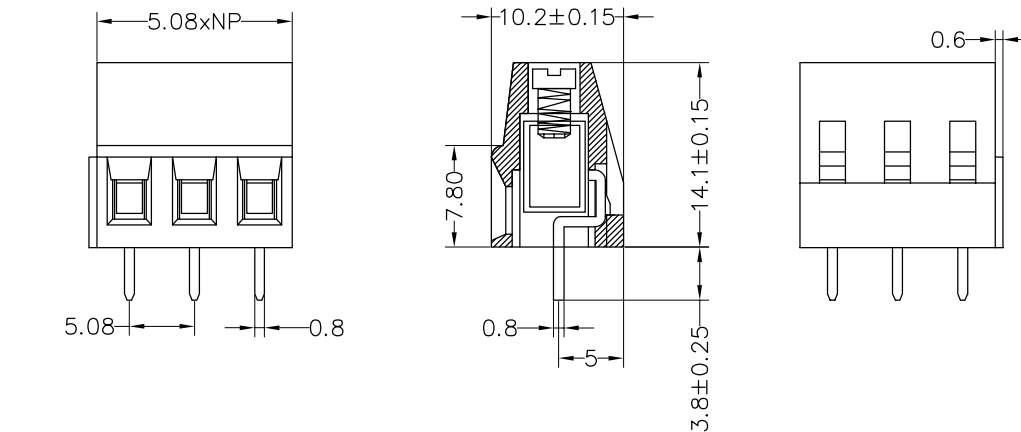
Housing Material(塑件): PA66 (UL94 V-0)
 Contact(端子): Brass, Tin plating(黄铜镀锡)
 Clamp(方块): Brass/Steel(铜/铁), Ni plating(镀镍)
 Screw (螺丝): M2.5, Steel, Zinc plating(钢,镀锌)

PITCH RANGE IN MM			NOMINAL DIMENSION RANGE IN MM				
TO	OVER	OVER	TO	OVER	OVER	OVER	OVER
6	6	10	30	30	60	100	OVER
6	TO	TO	30	TO	TO	TO	150
	10	24	60	60	100	150	
±0.10	±0.15	±0.25	±0.30	±0.30	±0.50	±0.70	±1.00

Ordering Information

JL 128 - 508 XX X X 1

- Pitch 508=5.08PH
- No.of pins 2P,3P,4P~24P
- Housing Color B=Black G=Green U=Blue R=Red W=White Y=Yellow O=Orange E=Grey
- Packing 0=Pe bag T=Tube A=Tray



Recommended P.C.B Layout(Top Side)

OPERATION		DRAW	BEN	17.01.04	SCALE	FIT
X.X	±0.30					
X.XX	±0.20	CHECK			UNIT	mm
X.XXX	±0.10	APPROVE			SIZE	A4
Angle	±3°				SHEET	1/1
DIM	TOL				PROJ.	

JILN 深圳市锦凌电子有限公司
 SHENZHEN JINLING ELECTRONIC CO.,LTD
 Tel: 86-755-2997-5806/5802 Fax: 86-755-2997-5992

REV	DATE	MODIFICATION DESCRIPTION	CHANGE
A0	2017.01.04	NEW DRAWING	

PART NO.	JL128-508XXXX1
TITLE:	5.08mm Terminal Blocks Female 180°