

HSF RoHS

SPECIFICATIONS PERFORMANCE

Electical Rating: AC/DC 50V 0.5A
 Insulation Resistance: 500MΩ
 Withstang Volt: 200V AC/minute
 Opratng Temperature: -40°C to +125°C
 Material
 Contact: Phosphor Bronze Gold-Plated
 Housing: PA46
 Max.Processing Temp: 230°C for 30-60 seconds
 (260°C for 10 seconds)

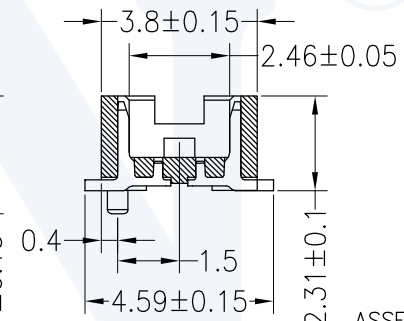
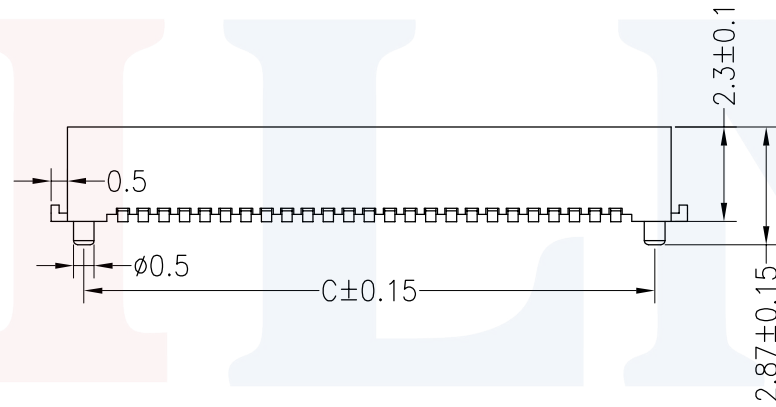
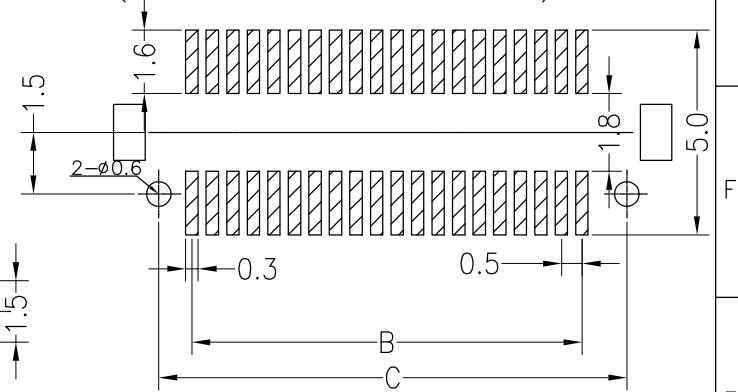
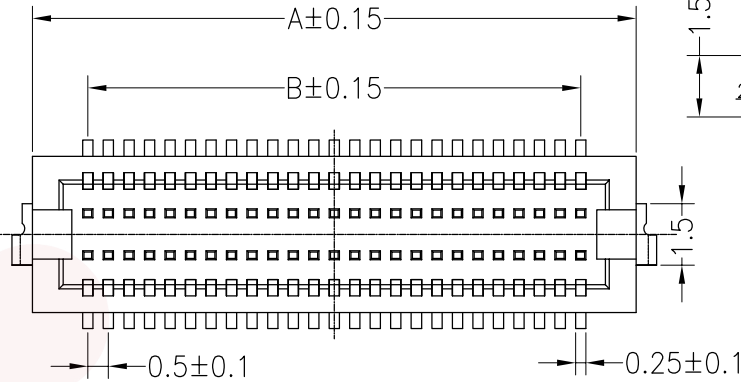
NO. OF Contacts	Dimensions		
	A	B	C
20pin	7.20	4.50	6.60
30pin	9.70	7.00	9.10
32pin	10.20	7.50	9.60
36pin	11.20	8.50	10.60
40pin	12.20	9.50	11.60
50pin	14.70	12.00	14.10
60pin	17.20	14.50	16.60
80pin	22.20	19.50	21.60
100pin	27.20	24.50	26.60

Ordering Information

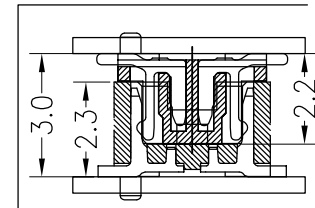
3720 F XXX 023 XX X X 03

F=Female M=Male
 No.of pins 08~100P
 Plastic Hight 023=4.3mm
 Contact Plating
 G0:Gold Flash
 G1:30U" Gold
 G2:50U" Gold
 G3:10U" Gold
 G4:15U" Gold
 G5:30U" Gold
 S0:Gold Flash/Tin
 Insulator Material Option
 D=BK-PA46
 E=BK-PA9T
 F=BK-LCP
 Packing
 T:Tube
 R:Reel

Recommended P.C.B Layout(Top Side)
 (PCB BOARD TOLERANCE±0.05)



ASSEMBLY



OPERATION		DRAW	yiyusheng	18.03.28	SCALE	FIT
X.X	±0.30					
X.XX	±0.20	CHECK			UNIT	mm
X.XXX	±0.10				SIZE	A4
Angle	±3°	APPROVE			SHEET	1/1
DIM	TOL				PROJ.	◆

JILN® 深圳市锦凌电子有限公司
 SHENZHEN JINLING ELECTRONIC CO.,LTD
 Tel: 86-755-2997-5806/5802 Fax: 86-755-2997-5992

REV	DATE	MODIFICATION DESCRIPTION	CHANGE
A0	2018.03.28	NEW DRAWING	

PART NO. 3720FXXX023XXXX03
 TITLE: 0.5BTB NPin H2.3 Female 带定位片带柱