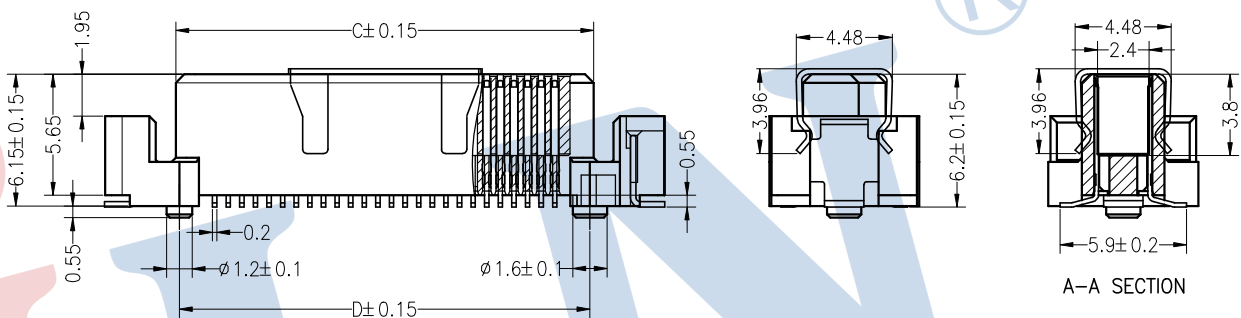
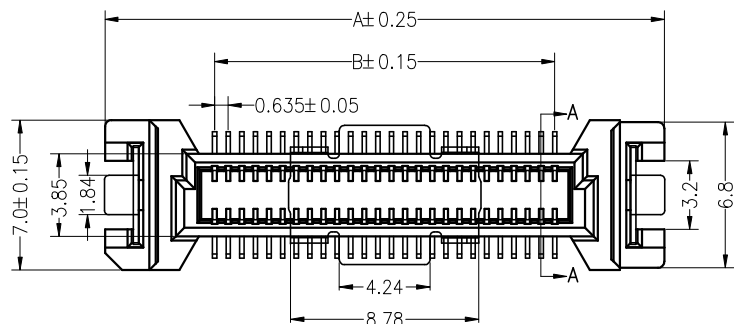


HSF RoHS

SPECIFICATIONS PERFORMANCE

Electical Rating: AC/DC 50V 0.5A
 Insulation Resistance: 500MΩ
 Withstang Volt: 200V AC/minute
 Opratng Temperature: -40°C to +105°C
 Material
 Contact: Phosphor Bronze Gold-Plated
 Housing: LCP
 Max.Processing Temp: 260°C ± 5° 5S



Pin	Dimension mm			
	A	B	C	D
30	19.115	8.89	12.515	12.175
40	22.29	12.065	15.69	15.35
50	25.465	15.24	18.865	18.525
52	26.10	15.875	19.50	19.16

Ordering Information

3722 F XXX 062 XX X X 0X

F=Female
M=Male

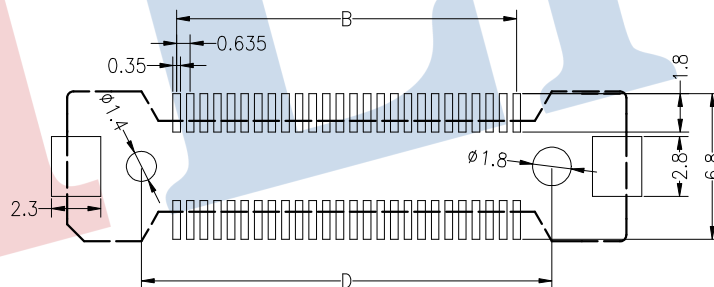
No.of pins
30,40,
50,52P

Plastic Hight
062=6.2mm

Contact Plating
G0:Gold Flash
G1:3U" Gold
G2:5U" Gold
G3:10U" Gold
G4:15U" Gold
S0:1.5U" Gold/Tin
S1:3U" Gold/Tin

Insulator
Material
Option
D=BK-PA46
E=BK-PA9T
F=BK-LCP

Packing
T:Tube
R:Reel



P.C.B Layout

OPERATION		DRAW	RICH LIN	22.07.08	SCALE	FIT
X.X	±0.30					
X.XX	±0.20	CHECK				
X.XXX	±0.10					
Angle	±3°	APPROVE				
DIM	TOL					

UNIT	mm
SIZE	A4
SHEET	1/1
PROJ.	◆

JILN 深圳市锦凌电子有限公司
 SHENZHEN JINLING ELECTRONICS CO.,LTD
 Tel: 86-755-27483253 Fax: 86-755-2997-5992

PART NO.	3722FXXX062XXXX0X
TITLE:	0.635mm BTB NPin H6.2 Female (PLC专用)

A0

2022.07.08 NEW DRAWING

REV DATE MODIFICATION DESCRIPTION CHANGE

1 2 3 4 5 6 7 8 9