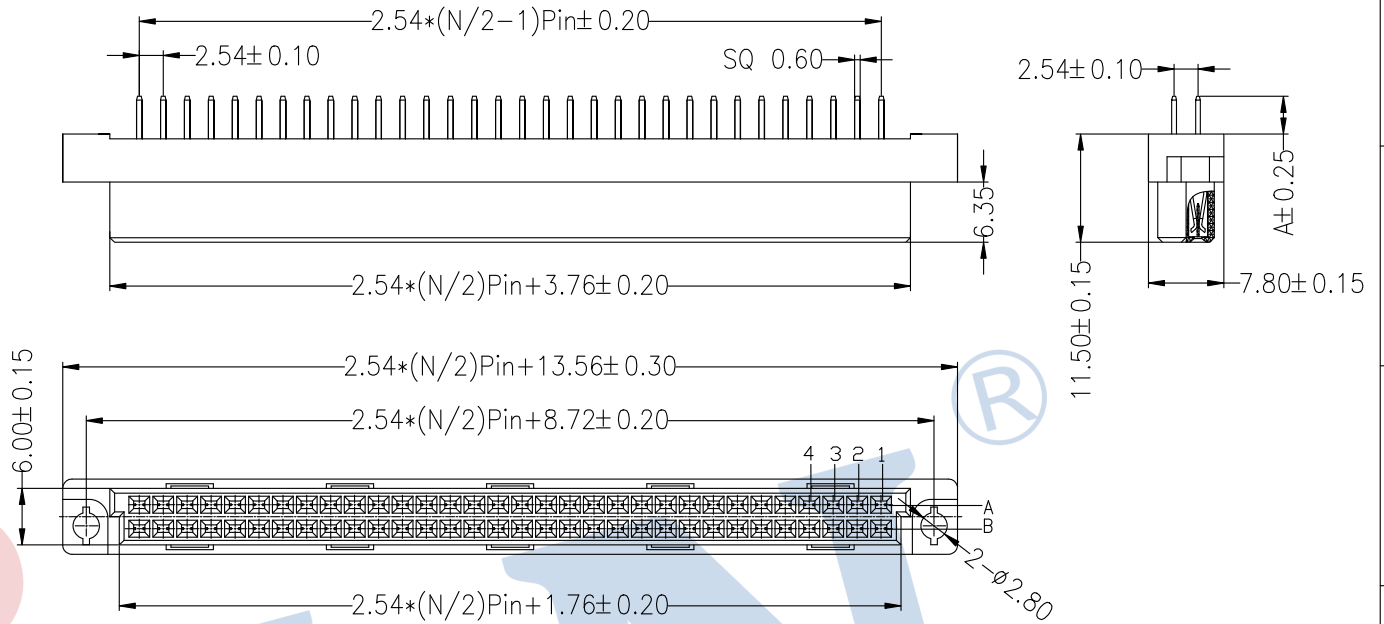




SPECIFICATIONS

Rated Current:3.0AMP
 Contact Resistance:30mΩ Max
 Withstand Voltage:1000V AC/DC
 Insulation Resistance:1000MΩ Min
 Operation Temperature:-40°C to +105°C

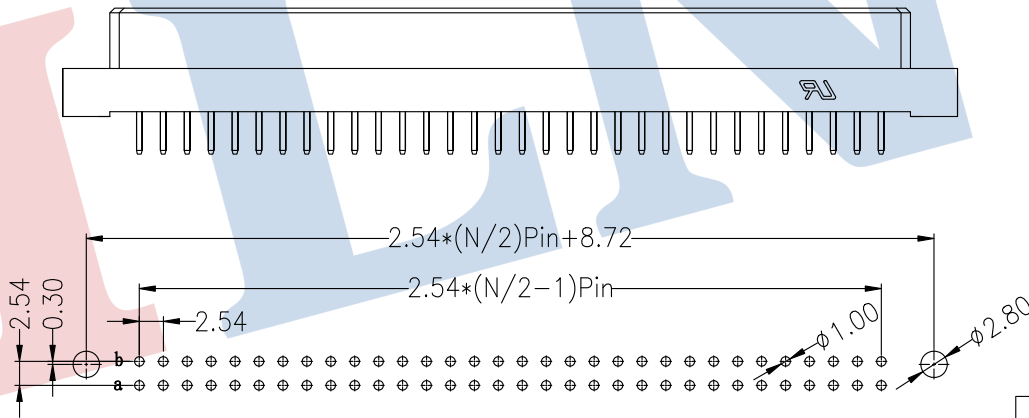
Contact Material:Brass
 Contact Plating:Au or Sn Over Ni
 Insulator Material:Polyester(UL94V-0)
 Resistance To Soldering Heat:
 245°C±5°C, 10s(PBT insulator)



Ordering Information

35112 XX B F S XX BNAX

No. of Pins NPin N=10, 16, 20, 32, 44, 48, 64	Contact Type F=Female	Contact Plating G0:Gold Flash S0:Gold Flash/Tin S1:3U" Gold/Tin S2:5U" Gold/Tin S3:10U" Gold/Tin S4:15U" Gold/Tin	Stream Code
--	--------------------------	---	-------------



Recommended P.C.B Layout(Top Side)
 (PCB BOARD TOLERANCE±0.05)

Dimension antitheses list	
ITEM	A
Standard	4.00

				OPERATION	DRAW	Jelly Feng	22.10.14	SCALE	FIT	JILN ® 深圳市锦凌电子有限公司 SHENZHEN JINLING ELECTRONICS CO.,LTD Tel: 86-755-27483253 Fax: 86-755-2997-5588	
				X.X	±0.30			UNIT	mm		
B	2014.09.16	增加UL标识		X.XX	±0.20	CHECK		SIZE	A4		
A0	2012.04.10	NEW DRAWING		X.XXX	±0.10			SHEET	1/1		
REV	DATE	MODIFICATION DESCRIPTION	CHANGE	Angle	±3°	APPROVE		PROJ.	∅		
				DIM	TOL					PART NO.	35112XXBFSXXBNAX
										TITLE:	欧式插座 母座 180度 2xNPIN 成品系列图