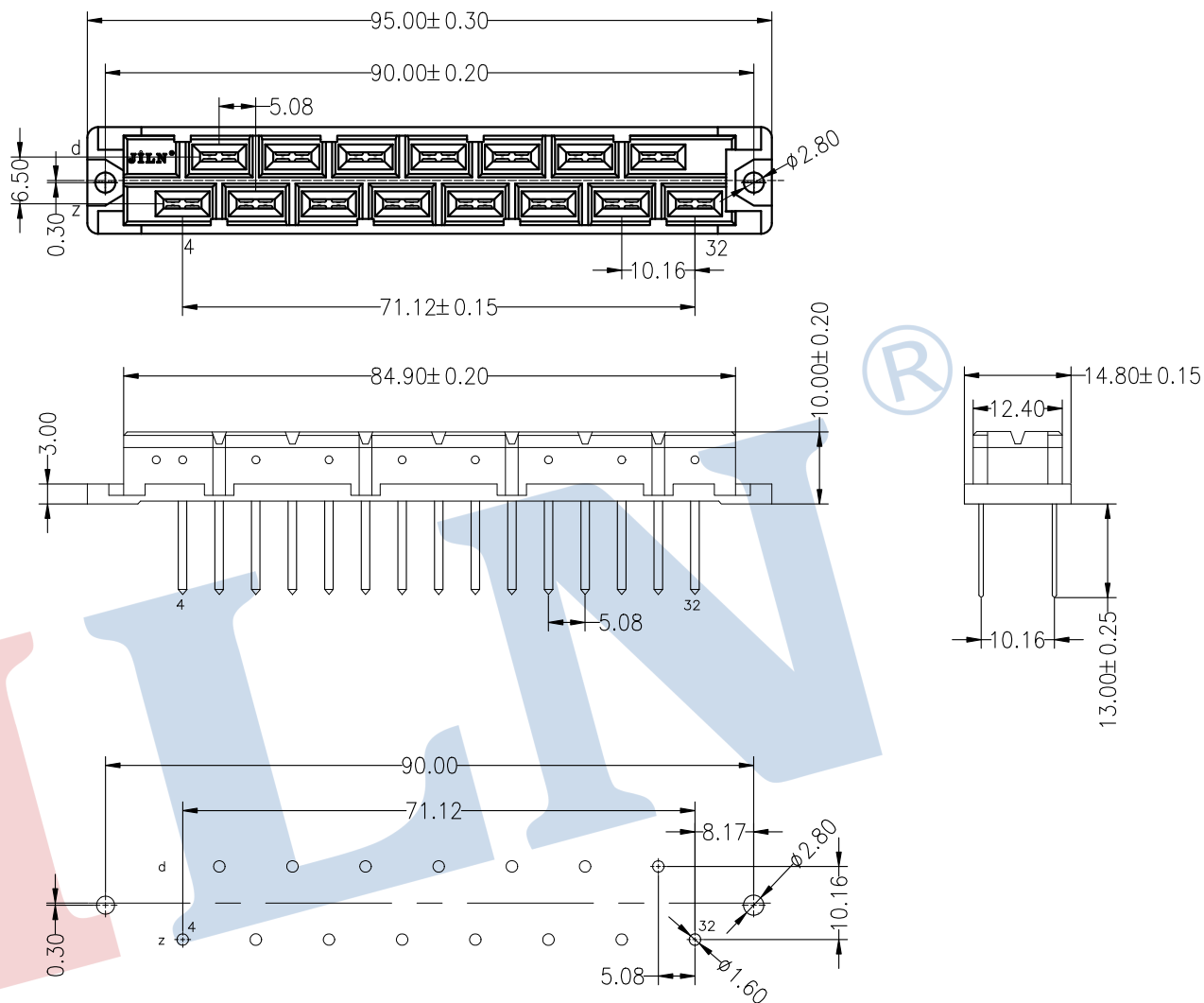


# HSF RoHS

## SPECIFICATIONS

Current rating: 15.0 Amps .  
 Contact resistance: 20 mohms initial  
 Insulation resistance: 1000 Mohms min @ 500 VDC  
 Dielectric withstanding voltage: 1000 VAC / minute  
 Operating temperature: -55°C to +125°C

Contact Material: Phosphor Bronze  
 Contact Plating: Au or Sn Over Ni  
 Insulator Material: Polyester (UL94V-0)  
 Resistance To Soldering Heat:  
 245° C ± 5° C, 10s (PBT insulator)



PCB LAYOUT (RECOMMENDED)  
 (TOP VIEW TOL. ±0.05)

## Ordering Information

3512 2 15 B F S XX BN 0X

No. of Pins  
15PIN

Contact Type  
F=Female

Contact Plating  
S0: Gold flash/Tin  
SN: Tin

				OPERATION		DRAW	Jelly Feng	22.01.20	SCALE	FIT	<b>JILN</b> ® 深圳市锦凌电子有限公司 SHENZHEN JINLING ELECTRONICS CO.,LTD Tel: 86-755-27483253 Fax: 86-755-2997-5588	
				X.X	±0.30				UNIT	mm		
				X.XX	±0.20	CHECK		SIZE	A4	PART NO.	3512215BFSXXBN0X	
				X.XXX	±0.10		APPROVE		SHEET	1/1	TITLE:	DIN 41612 H15 Type Female
REV	DATE	MODIFICATION DESCRIPTION	CHANGE	DIM	TOL			PROJ.				