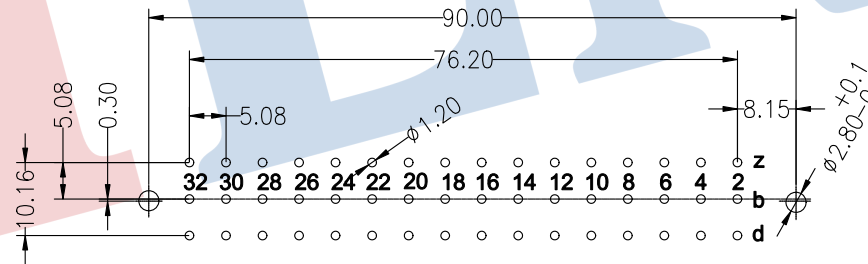
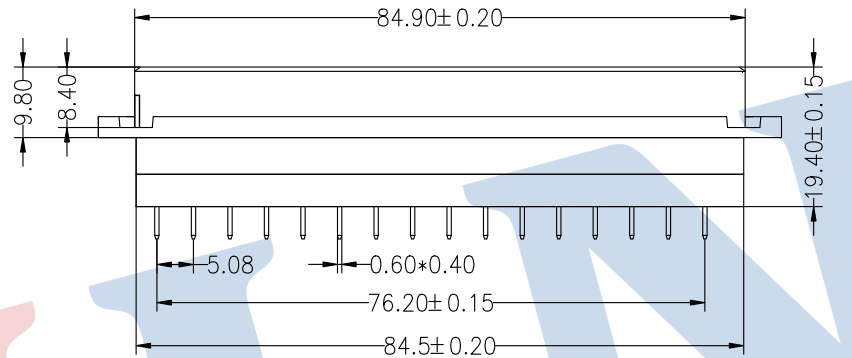
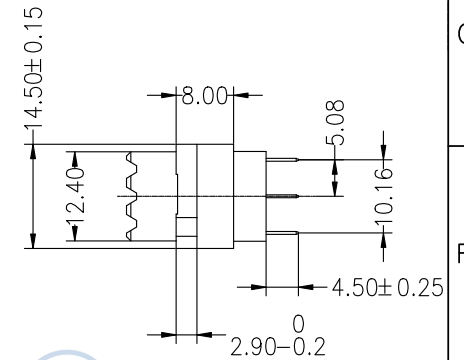
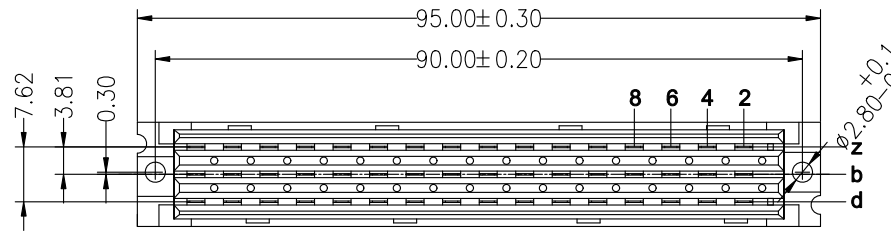


HSF RoHS

SPECIFICATIONS

Current rating: 5.6 Amps .
 Contact resistance: 20 mohms initial
 Insulation resistance: 100000 Mohms min @ 500 VDC
 Dielectric withstanding voltage: 1000 VAC / minute
 Operating temperature: -55°C TO +125°C

Contact Material: Phosphor Bronze
 Contact Plating: Au or Sn Over Ni
 Insulator Material: Polyester (UL94V-0)
 Resistance To Soldering Heat:
 245° C ± 5° C, 10s (PBT insulator)



Recommended P.C.B Layout (Top Side)
 (PCB BOARD TOLERANCE ± 0.05)

Ordering Information

3513 3 48 A F S XX B N A X

No. of Pins
48PIN

Contact Type
F=Female

Contact Plating
 G0: Gold Flash
 S0: Gold Flash/Tin
 S1: 3U" Gold/Tin
 S2: 5U" Gold/Tin
 S3: 10U" Gold/Tin
 S4: 15U" Gold/Tin
 S5: 30U" Gold/Tin
 SN: Tin

Stream Code

				OPERATION		DRAW	YiYuSheng	15.04.03	SCALE	FIT	JILN ® 深圳市锦凌电子有限公司 SHENZHEN JINLING ELECTRONICS CO.,LTD Tel: 86-755-27483253 Fax: 86-755-2997-5588	
				X.X	±0.30				UNIT	mm		
				X.XX	±0.20	CHECK		SIZE	A4	PART NO.	3513348AFSXXBNAX	
A0	2015.04.03	NEW DRAWING		X.XXX	±0.10					SHEET	1/1	TITLE:
REV	DATE	MODIFICATION DESCRIPTION		CHANGE	DIM	TOL	APPROVE	PROJ.				