

HSF RoHS

SPECIFICATIONS

Rated Current:6.0AMP

Contact Resistance:20mΩ Max

Withstand Voltage:1000V AC/DC

Insulation Resistance:1000MΩ Min

Operation Temperature:-55°C to +125°C

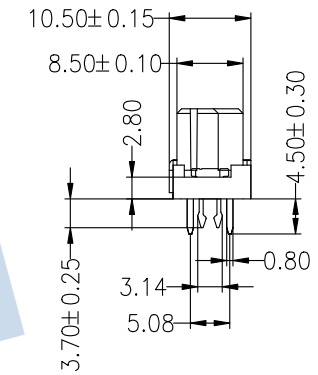
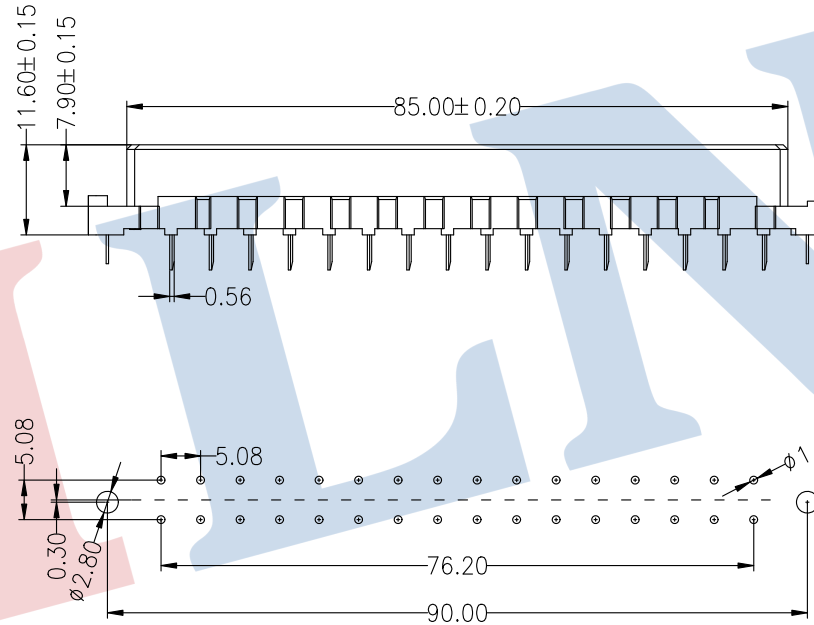
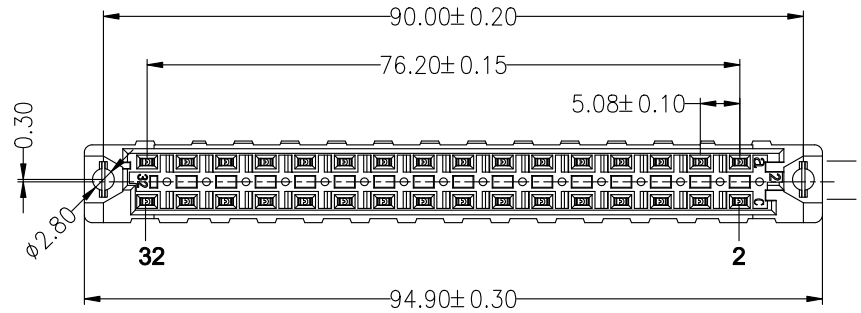
Contact Material:Phosphor Bronze

Contact Plating:Au Over Ni

Insulator Material:Polyester(UL94V-0)

Resistance To Soldering Heat:

245° C±5° C, 10s(PBT insulator)



Ordering Information

3513 2 32 A F S XX B W A X

No.of Pins
32PIN

Contact Type
F=Female

Contact Plating
G0:Gold Flash
S0:Gold Flash/Tin
S1:30U" Gold/Tin
S2:50U" Gold/Tin
S3:10U" Gold/Tin
S4:15U" Gold/Tin
S5:30U" Gold/Tin
SN:Tin

Stream Code

Recommended P.C.B Layout(Top Side)
(PCB BOARD TOLERANCE±0.05)

				OPERATION		DRAW	YiYuSheng	20.06.13	SCALE	FIT	JILN ® 深圳市锦凌电子有限公司 SHENZHEN JINLING ELECTRONICS CO.,LTD Tel: 86-755-27483253 Fax: 86-755-2997-5588	
				X.X	±0.30				UNIT	mm		
A1	2020.06.13	变更鱼叉规格		X.XX	±0.20	CHECK			SIZE	A4	PART NO.	3513232AFSXXBWAX
A0	2017.03.24	NEW DRAWING		X.XXX	±0.10	APPROVE			SHEET	1/1	TITLE:	DIN41612 5.08mm high current straight female with harpoon
REV	DATE	MODIFICATION DESCRIPTION		CHANGE					PROJ.			