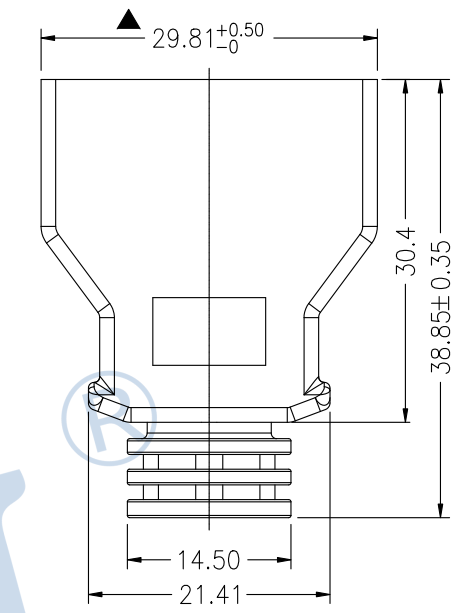
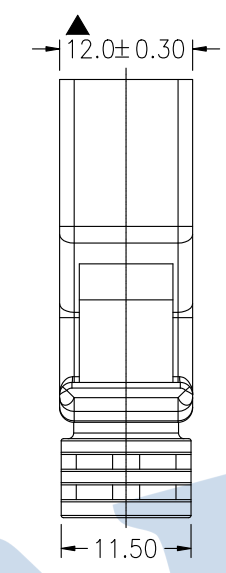
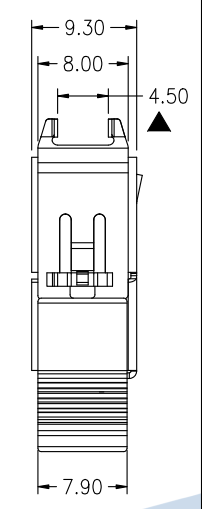
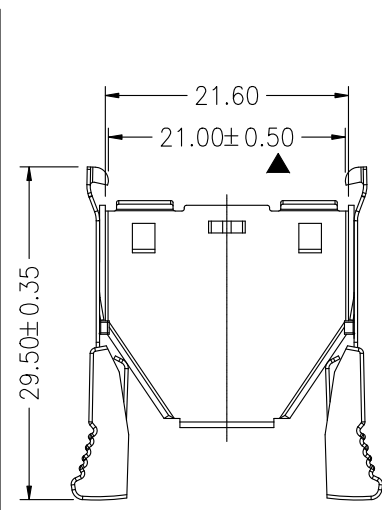
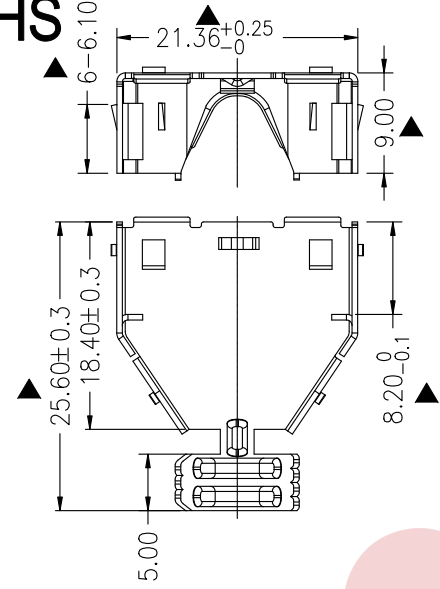


HSF RoHS

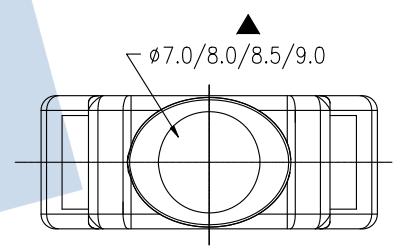
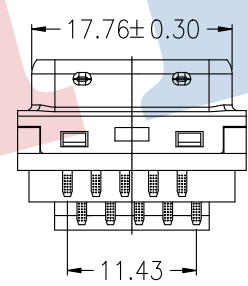
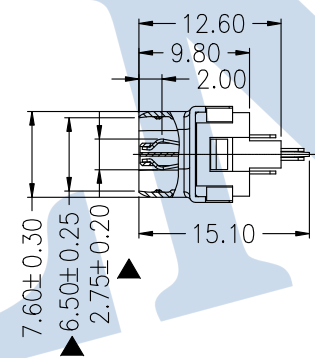
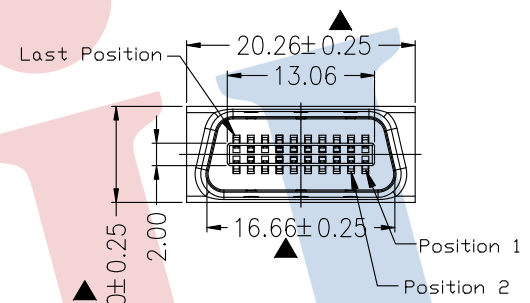


Specification:

- 1.Contact Resistance: 35 m Ohm Max.
- 2.Insulation Resistance: 200 M Ohm Min. At 500V DC.
- 3.Contact Current Rating: 1 Amp AC/DC
- 3.Voltage Rating: 40V AC.
- 4.Withstanding Voltage: 500V AC For 1 Minute.
- 5.Operating Temperature: -25°C to +85°C
- 6.Packing: Tray
- 7.Control Dimensions Indicated From "▲".

Material and Finish:

- 1.Insulator Material: PBTUL94-V0,Black
- 2.Cover Material: PBTUL94-V0,Black/White
- 3.Hood Plastic Material: ABS,Black/White
- 4.Bullon Plastic Material: ABS,Black/White
- 5.Contact Material: Phosphor Bronze(C5191-EH)T=0.25
- 6.Contact Area Plated: Gold 1~30u" Plated Over Nickel 50u".
- 7.Solder Area Plated: Tin Plated(80u" min Lead Free)
- 8.Up or Down Shell Material: SPCC T=0.50
- 9.Up or Down Shell Plated:Nickel 80u" Plated Over Cu 50u"
- 10.Connector Shell Material: SPCC T=0.50
- 11.Connector Shell Plated: Gold 1~3u" Plated Over Cu 50u"
- 12.Hook Spring Material: Stainless Steel T=0.30



Ordering Information

6320-M020 S D XX P N A 0 X

No.of Pins	Connector Type	Contact Plating	Stream Code
14,20P,26P,36P	S=Straight	G1:1U" Gold	
50P		G4:3U" Gold	
		G5:5U" Gold	
		S1:1U" Gold /Tin	
		S2:3U" Gold /Tin	
		S3:5U" Gold /Tin	

				OPERATION		DRAW	Jelly Feng	17.06.22	SCALE	FIT
				X.X	±0.30					
				X.XX	±0.20	CHECK			UNIT	mm
				X.XXX	±0.10				SIZE	A4
A0	2017.06.22	NEW DRAWING		Angle	±3°	APPROVE			SHEET	1/1
REV	DATE	MODIFICATION DESCRIPTION		DIM	TOL				PROJ.	

JILN 深圳市锦凌电子有限公司
SHENZHEN JINLING ELECTRONICS CO.,LTD
 Tel: 86-755-27483253 Fax: 86-755-2997-5588

PART NO.	6320-M020SDXXPNA0X
TITLE:	HPCN 20P SCSI Solder-type Male