

HSF RoHS

SPECIFICATIONS

Housing: Thermoplastic,UL94V-0 (PBT)

Color: Black

Contact:Copper Alloy

Shell:Zinc Alloy

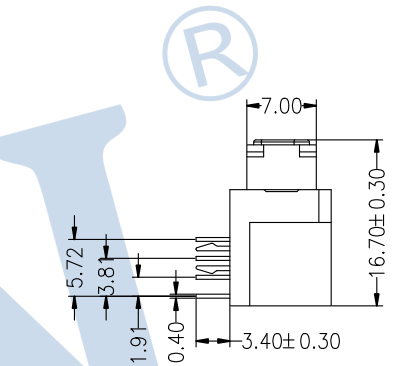
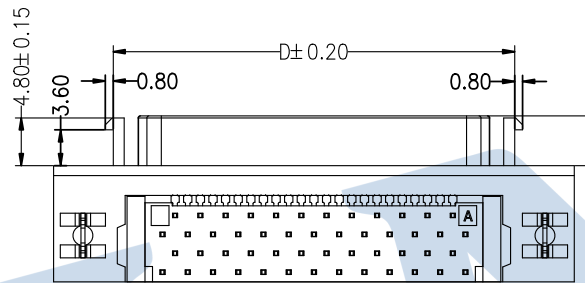
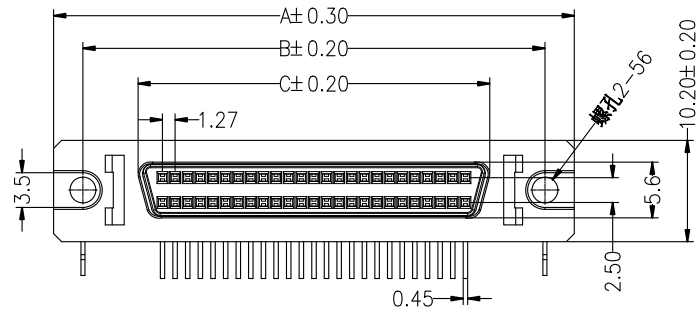
Voltage Current Rating:1.0AMP.250V AC

Insulation Resistance:500MΩ Min.

Contact Resistance:35mΩ Max.

Dielectric Withstanding Voltage:500V AC

Temperature Range:-40° C to +105° C



No. of Pin	DIMENSIONS					
	A	B	C	D	E	F
50	52.43	46.50	34.70	40.30	46.50	30.48
68	63.86	57.93	46.13	51.32	57.93	41.91
100	84.18	78.23	66.45	71.50	78.23	62.23

Ordering Information

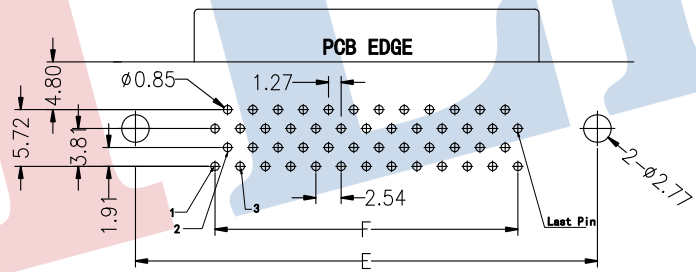
6311 F XXX R D XX MNA 0X

No. of Pins
50P, 68P, 100P

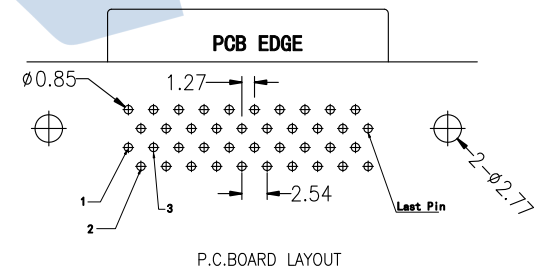
Connector Type
R=Right Angle

Contact Plating
G0:Gold Flash
S0:Gold Flash/Tin
S1:3U" Gold /Tin
S2:5U" Gold /Tin
S3:10U" Gold /Tin
S4:15U" Gold /Tin

流水码



P.C. BOARD LAYOUT
(50Pin) R1 Type / 正脚位



P.C. BOARD LAYOUT
(68,100Pin) R2 Type / 反脚位

A	AO	2014.10.14	NEW DRAWING	CHANGE	OPERATION	DRAW	YiYuSheng	14.10.14	SCALE	FIT	JILN ® 深圳市锦凌电子有限公司 SHENZHEN JINLING ELECTRONICS CO.,LTD Tel: 86-755-27483523 Fax: 86-755-2997-5588	PART NO.	6311FXXXRDXXMNA0X	
	REV	DATE	MODIFICATION DESCRIPTION		X.X				±0.30	UNIT				mm
					X.XX				±0.20	SHEET				1/1
					X.XXX				±0.10	PROJ.				◆
					Angle				±3°	TITLE:				SCSI DB Female 90°
				DIM	TOL									