

NOTE:

1.MATERIALS:

1. HOUSING: THERMOPLASTIC, UL 94V-0 RATED.
2. COVER: THERMOPLASTIC, UL 94V-0 RATED.
3. CONTACTS: COPPER ALLOY, SELECTIVE GOLD PLATED
4. SHELL: ZINC, NICKEL PLATED.
5. HARPOON: COPPER ALLOY, TIN OVER NICKEL

2.SPECIFICATION:

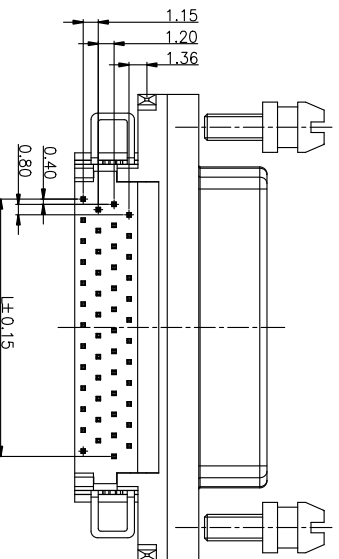
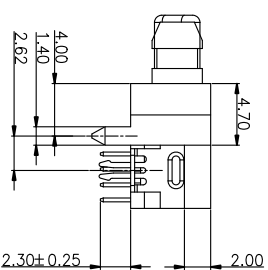
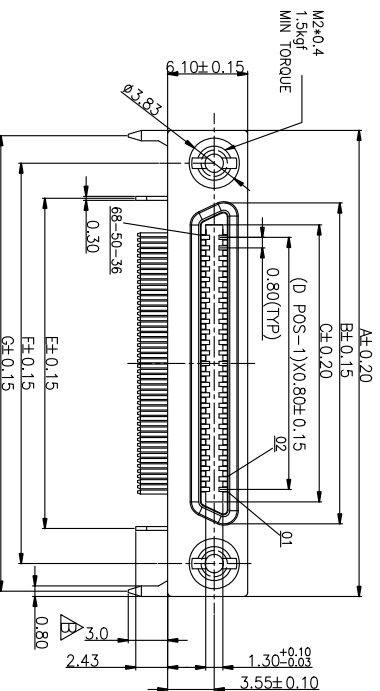
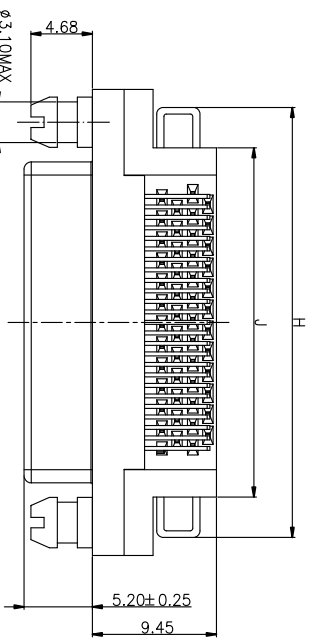
1. RATED CURRENT: 2.0A/CONTACT
2. INSULATION RESISTANCE: 500MOHM MIN.
3. DIELECTRIC WITHSTANDING VOLTAGE:250V AC FOR 1 MINUTE.
4. OPERATING TEMPERATURE: -40°C TO +105°C

## Ordering Information

6333 F 068 R D XX M N A0X

No.of Pins  
Connector Type  
R=Right Angle  
Contact Plating  
Stream Code

G0:Gold Flash  
S0:Gold /Tin  
S1:3U" Gold /Tin  
S2:5U" Gold /Tin  
S3:10U" Gold /Tin  
S4:15U" Gold /Tin  
S5:30U" Gold /Tin



NO. OF POS.	A	B	C	D	E	F	G	H	J	L
68	43.00	31.65	28.20	34	32.35	37.70	41.90	39.80	34.40	26.80

OPERATION		DRAW	SCALE	FIT		PART NO.	TITLE:
OPERATION	DRAW	SCALE	UNIT	UNIT	UNIT		
X.X	±0.30	YYuSheng	20.08.22	mm	A4	6333-F068RDXXMNA0X	VHDCR 90度 68P 母头 LCP 黑色铆合锁 3.83*9.1mm M2圆头开口螺丝
X.XXX	±0.20	CHECK		mm	A4		
X.XXX	±0.10	APPROVE		mm	1/2		
Angle	±3°						
DIM	TOL						
CHANGE							
MODIFICATION DESCRIPTION							
DATE							
REV							
2020.08.22	Change size 3.5 → 3.0mm						
2020.06.18	NEW DRAWING						

**JILIN** 深圳市锦凌电子有限公司  
SHENZHEN JINLING ELECTRONICS CO.,LTD  
Tel: 86-755-27483253 Fax: 86-755-2997-5992