

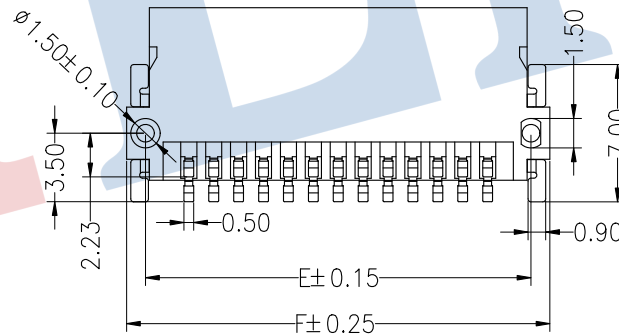
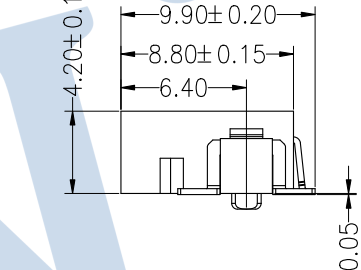
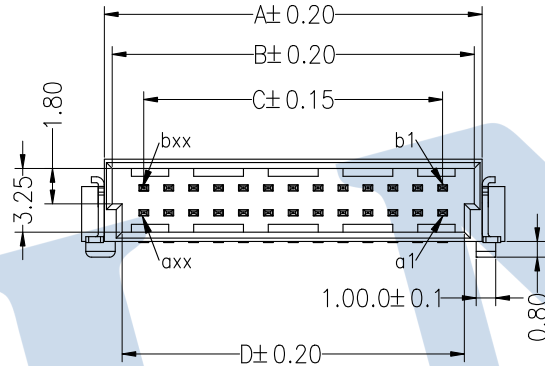
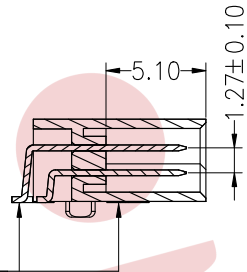
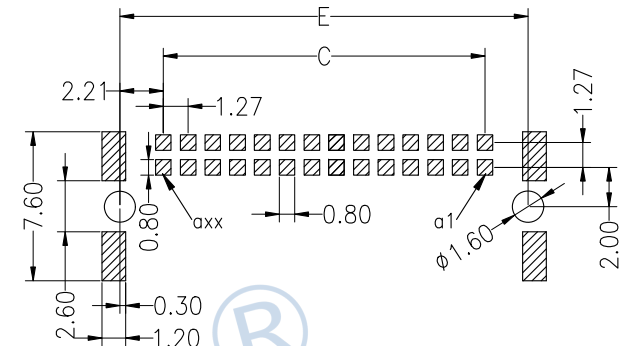
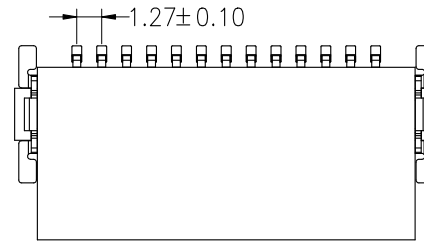
# HSF RoHS

## SPECIFICATIONS

Rated Current:1.0AMP  
 Contact Resistance:25mΩ Max  
 Withstand Voltage:500V  
 Insulation Resistance:1000MΩ Min  
 Operation Temperature:-55°C to +125°C

Contact Material:Phosphor Bronze  
 Contact Plating:Sn and Au over Ni  
 Tail Material:Phosphor Bronze  
 Tail Plating: Sn over Ni  
 Main Body Material: LCP UL94V0  
 Cover Material:LCP UL94V0  
 Resistance To Soldering Heat:  
 260°C ±5°C, 10s(LCP insulator)

Recommended P.C.B Layout(Top Side)  
 (PCB BOARD TOLERANCE±0.05)



10~40PIN	0.12
42~100PIN	0.15

PIN No.	A	B	C	D	E	F
10	9.1	8.3	5.08	7.3	9.5	11.43
12	10.37	9.57	6.35	8.57	10.77	12.7
16	12.91	12.11	8.89	11.11	13.31	15.24
20	15.45	14.65	11.43	13.65	15.85	17.78
26	19.26	18.46	15.24	17.46	19.66	21.59
30	21.8	21	17.78	20	22.2	24.13
32	23.07	22.27	19.05	21.27	23.47	25.4
40	28.15	27.35	24.13	26.35	28.55	30.48
50	34.5	33.7	30.48	32.7	34.9	36.83
60	40.85	40.05	36.83	39.05	41.25	43.18
68	45.93	45.13	41.91	44.13	46.33	48.26
80	53.55	52.75	49.53	51.75	53.95	55.88

## Ordering Information

7100-M XXX 088 XX Z F X 0X

F=Female  
 M=Male  
 No.of pins  
 010=10Pin  
 020=20Pin  
 ...  
 100=100Pin  
 Plastic Hight  
 088=8.8mm  
 Contact Plating  
 G0:Gold Flash  
 G1:3U" Gold  
 G2:5U" Gold  
 G3:10U" Gold  
 G4:15U" Gold  
 G5:30U" Gold  
 S0:Gold Flash/Tin  
 SM:Matte-Tin/2u"  
 Insulator Material  
 Option  
 E=BK-PAPT  
 F=BK-LCP  
 Packing  
 T:Tube  
 R:Reel

OPERATION		DRAW	yiyusheng	20.06.05	SCALE	FIT
X.X	±0.30					
X.XX	±0.20	CHECK			UNIT	mm
X.XXX	±0.10				SIZE	A4
Angle	±3°	APPROVE			SHEET	1/1
DIM	TOL				PROJ.	☉

**JILN** 深圳市锦凌电子有限公司  
 SHENZHEN JINLING ELECTRONICS CO.,LTD  
 Tel: 86-755-27483253 Fax: 86-755-2997-5588

PART NO.	7100-MXXX088XXZF0X
TITLE:	1.27mm E-type NPin Male H8.8 90° SMT

REV	DATE	MODIFICATION DESCRIPTION	CHANGE
A	2020.06.05	NEW DRAWING	