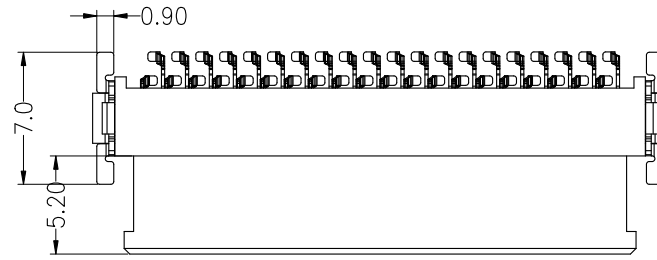


# HSF RoHS

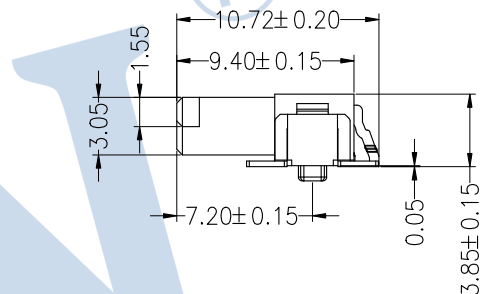
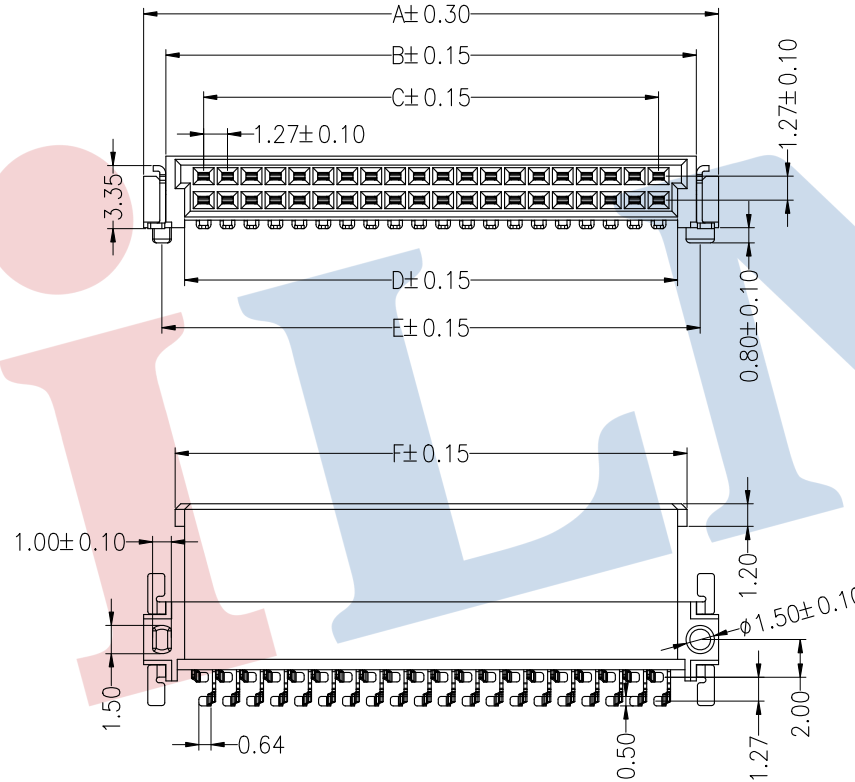
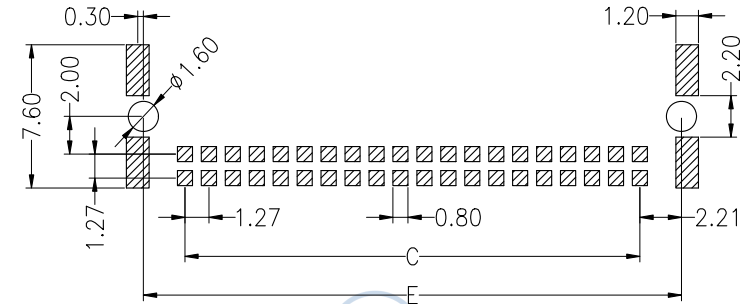
## SPECIFICATIONS

Rated Current:1.0AMP  
 Contact Resistance:25mΩ Max  
 Withstand Voltage:500V  
 Insulation Resistance:1000MΩ Min  
 Operation Temperature:-40°C to +105°C

Contact Material:Phosphor Bronze  
 Contact Plating:Sn and Au over Ni  
 Tail Material:Phosphor Bronze  
 Tail Plating: Sn over Ni  
 Main Body Material: LCP UL94V0  
 Resistance To Soldering Heat:  
 260° C±5° C, 10s(LCP insulator)



Recommended P.C.B Layout(Top Side)  
 (PCB BOARD TOLERANCE± 0.05)



PIN No.	A	B	C	D	E	F
10	11.44	9.08	5.08	7.1	9.5	8.1
12	12.71	10.35	6.35	8.37	10.77	9.37
16	15.25	12.89	8.89	10.91	13.31	11.91
20	17.79	15.43	11.43	13.45	15.85	14.45
26	21.6	19.24	15.24	17.26	19.66	18.26
30	24.14	21.78	17.78	19.8	22.2	20.8
32	25.41	23.05	19.05	21.07	23.47	22.07
40	30.49	28.13	24.13	26.15	28.55	27.15
50	36.84	34.48	30.48	32.5	34.9	33.5
60	43.19	40.83	36.83	38.85	41.25	39.85
68	48.27	45.91	41.91	43.93	46.33	44.93
80	55.89	53.53	49.53	51.55	53.95	52.55

## Ordering Information

7100 - F XXX 094 XX Z X X OX

F=Female  
 M=Male  
 No.of pins  
 010=10Pin  
 020=20Pin  
 ...  
 100=100Pin  
 Plastic Hight  
 094=9.4mm  
 Contact Plating  
 G0:Gold Flash  
 G1:3U" Gold  
 G2:5U" Gold  
 G3:10U" Gold  
 G4:15U" Gold  
 G5:30U" Gold  
 S0:Gold Flash/Tin  
 SM:Matte-Tin/2u"  
 Insulator Material  
 Option  
 E=BK-PA9T  
 F=BK-LCP  
 Packing  
 T:Tube  
 R:Reel

### OPERATION

X.X	±0.30
X.XX	±0.20
X.XXX	±0.10
Angle	±3°
DIM	TOL

DRAW	yiyusheng	21.01.04
CHECK		
APPROVE		

SCALE	FIT
UNIT	mm
SIZE	A4
SHEET	1/1
PROJ.	☉

**JILN**® 深圳市锦凌电子有限公司  
 SHENZHEN JINLING ELECTRONICS CO.,LTD  
 Tel: 86-755-27483253 Fax: 86-755-2997-5588

PART NO.	7100-FXXX094XXZXOX
TITLE:	1.27mm E-type Connector NPin Female H9.4 90° SMT

REV	DATE	MODIFICATION DESCRIPTION	CHANGE
A	2021.01.04	NEW DRAWING	