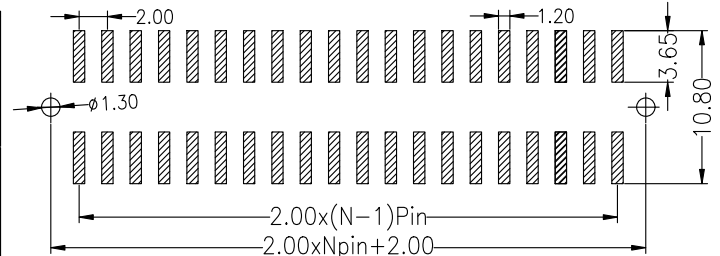
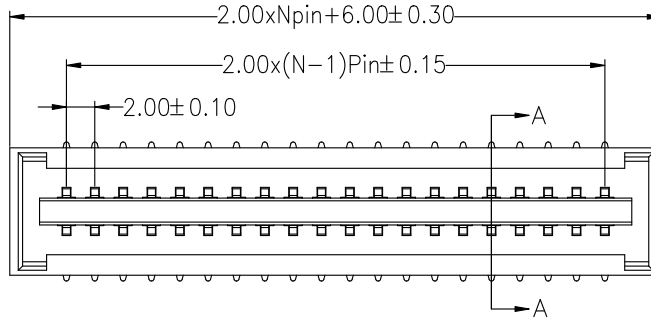


HSF RoHS

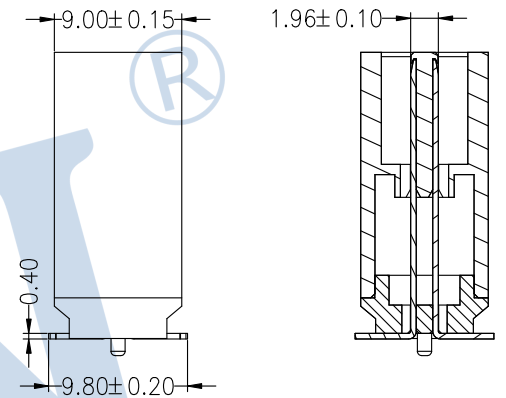
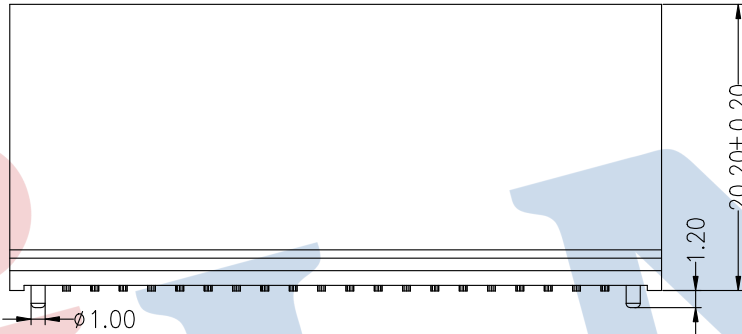
SPECIFICATIONS

Rated Current:3.0AMP
 Contact Resistance:20mΩ Max
 Withstand Voltage:1000V AC/DC
 Insulation Resistance:1000MΩ Min
 Operation Temperature:-40°C to +105°C

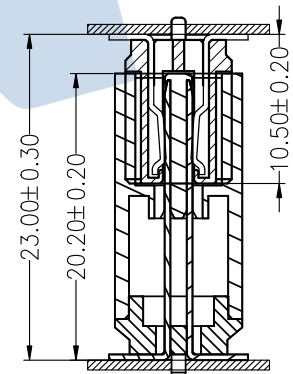
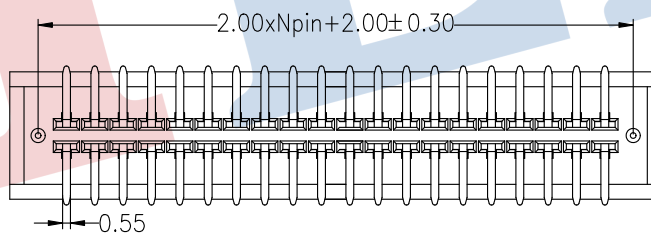
Contact Material:Phosphor bronze
 Contact Plating:Au or Sn Over Ni
 Insulator Material:Polyester(UL94V-0)
 Resistance To Soldering Heat:
 260° C±5° C, 10s(PA9T insulator)



Recommended P.C.B Layout



A-A SECTION



Mating Draw (Ref)

Ordering Information

4410- 2 XX M XX M E B W 0 X

- No.of Pins
2x20P
2x27P
2x32P
- Contact Plating
G0:Gold Flash
G1:1U" Gold
G2:2U" Gold
G3:3U" Gold
G4:5U" Gold
G5:10U" Gold

				OPERATION		DRAW	yiyusheng	19.07.09	SCALE	FIT	JILN® 深圳市锦凌电子有限公司 SHENZHEN JINLING ELECTRONICS CO.,LTD Tel: 86-755-27483253 Fax: 86-755-2997-5588	
				X.X	±0.30				UNIT	mm		
				X.XX	±0.20				SIZE	A4		
				X.XXX	±0.10				SHEET	1/1		
A	2019.07.09	NEW DRAWING		Angle	±3°	APPROVE		PART NO.	4410-2XXMXXMEBWOX			
REV	DATE	MODIFICATION DESCRIPTION		DIM	TOL			TITLE:	2.0加强型金手指连接器 公座 2xNpin H20.2 SMT 带柱			