

HSF RoHS

SPECIFICATIONS

Rated Current:2.0AMP

Contact Resistance:20mΩ Max

Withstand Voltage:500V AC/DC

Insulation Resistance:500MΩ Min

Operation Temperature:-40°C to +105°C

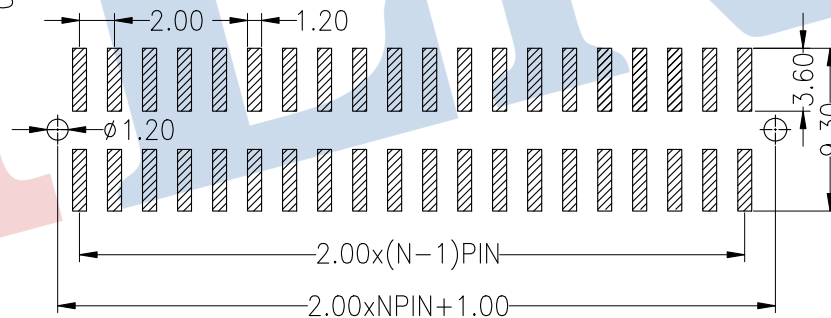
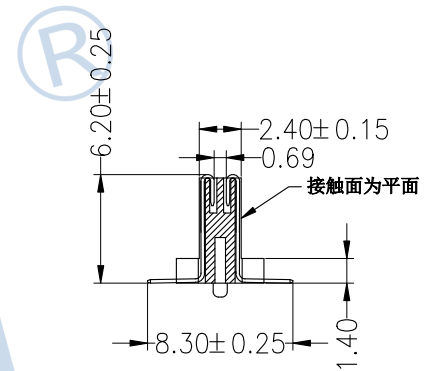
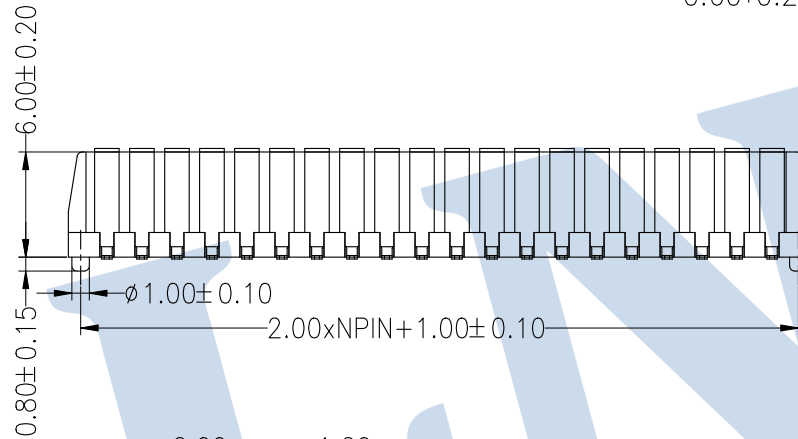
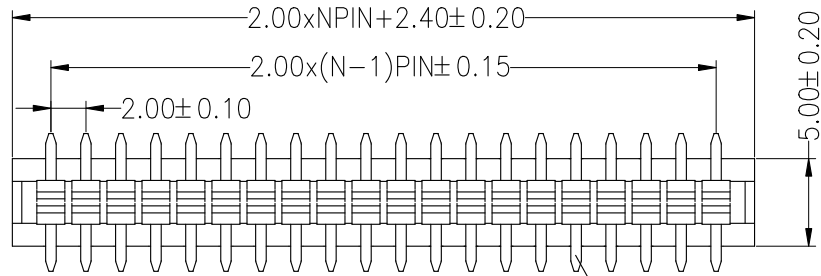
Contact Material:Copper Alloy

Contact Plating:Au or Sn Over Ni

Insulator Material:Polyester(UL94V-0)

Resistance To Soldering Heat:

260°C±5°C, 10s(PA9T insulator)



Recommended P.C.B Layout(Top Side)

Ordering Information

4400- 2 XX M XX M E B W 0 X

No.of Pins
2x13P
2x15P
2x20P
2x23P
2x25P
2x27P

Contact Plating
G0:Gold Flash
G1:1U" Gold
G2:2U" Gold
G3:3U" Gold
G4:5U" Gold
G5:10U" Gold

				OPERATION		DRAW	OuYanghui	18.05.16	SCALE	FIT	JILN ® 深圳市锦凌电子有限公司 SHENZHEN JINLING ELECTRONICS CO.,LTD Tel: 86-755-27483253 Fax: 86-755-2997-5588		
				X.X	±0.30				UNIT	mm			
				X.XX	±0.20	CHECK	SIZE	A4	PART NO.	4400-2XXMXXMEBW0X			
A0	2018.05.16	NEW DRAWING		X.XXX	±0.10	APPROVE	SHEET	1/1	TITLE:	2.0金手指连接器 2xNP 公座 H6.0 SMT			
REV	DATE	MODIFICATION DESCRIPTION		CHANGE	DIM	TOL	PROJ.						