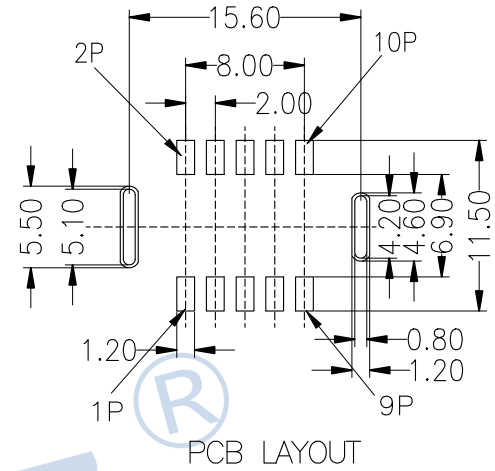
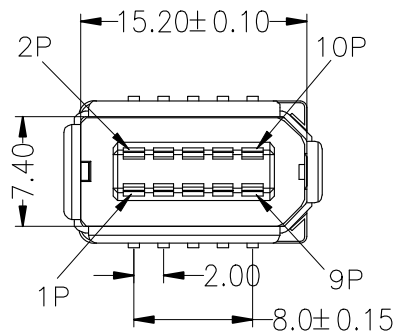


HSF RoHS

SPECIFICATIONS

Rated Current:1.5AMP
 Contact Resistance:20mΩ Max
 Withstand Voltage:500V AC/DC
 Insulation Resistance:1000MΩ Min
 Operation Temperature:-55°C to +105°C
 Contact Material:Phosphor Bronze
 Contact Plating:Au Over Ni
 Shroud Material:Phosphor Bronze/Iron
 Shroud Plating:Tin Over Ni
 Insulator Material:Polyester(UL94V-0)
 Resistance To Soldering Heat:
 260° C±5° C, 10s(LCP insulator)



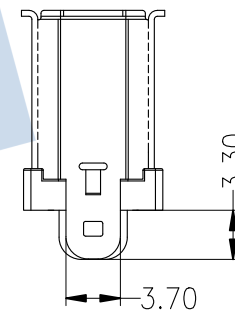
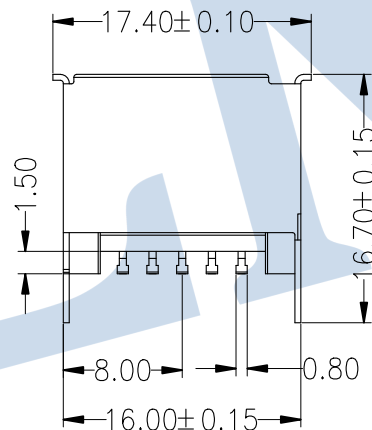
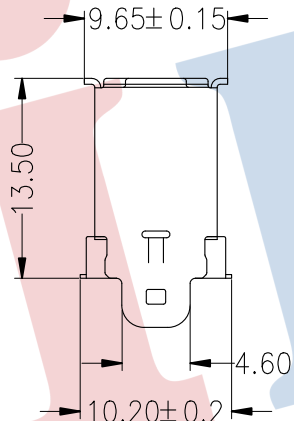
Ordering Information

6312M - 10 M XX M X 0 X

No. of Pins
10P

Contact Plating
 G0:Gold Flash
 G4:3U" Gold
 G5:5U" Gold
 G6:10U" Gold
 G7:20U" Gold
 S2:3U" Gold /Tin
 S3:5U" Gold /Tin
 S4:10U" Gold /Tin
 S5:15U" Gold /Tin

Packing
 A:Tray
 T:Tube



		OPERATION		DRAW	YiYuSheng	18.05.23	SCALE	FIT
		X.X	±0.30					
		X.XX	±0.20	CHECK			UNIT	mm
		X.XXX	±0.10				SIZE	A4
A0	2018.05.23	NEW DRAWING		APPROVE			SHEET	1/1
REV	DATE	MODIFICATION DESCRIPTION	CHANGE				DIM	TOL

JILN® 深圳市锦凌电子有限公司
 SHENZHEN JINLING ELECTRONICS CO.,LTD
 Tel: 86-755-27483253 Fax: 86-755-2997-5588

PART NO. 6312M-10MXXMX0X
 TITLE: 1394 SM Male 10P SMT(Metal Shell)