

# HSF RoHS

1. M2螺丝要求对应使用1#螺丝刀头
2. 破坏扭力为0.3N.m (Max), 建议使用扭力0.15±0.015N.m

Note:

Current Rating: 1A ma.

Voltage Rating: 100 VAC.

Insulation Resistance: >1000 MΩ at @500VDC

Withstand Voltage: 500VAC for 1 minute

Contact Resistance: 10 mΩ MAX

Operation Temperature: -40°C to +125°C

applicable Cable:

AWG#24 to #22

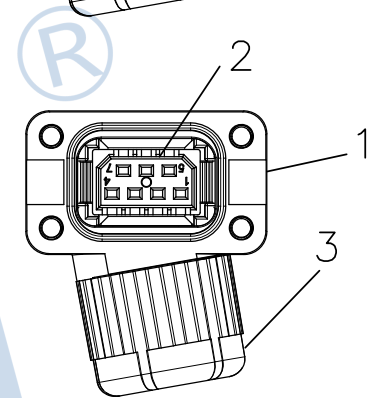
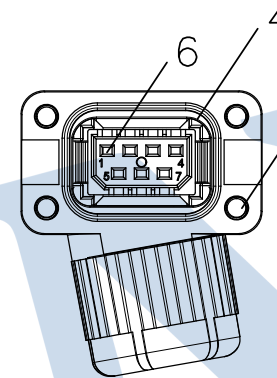
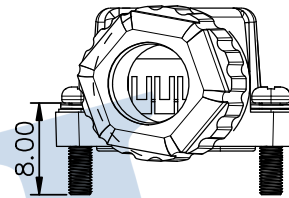
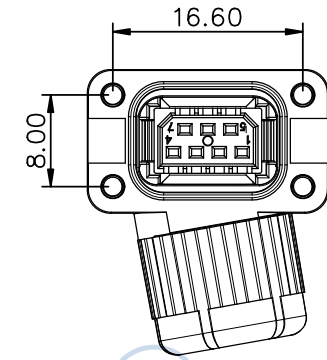
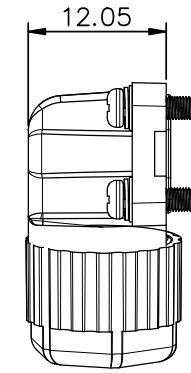
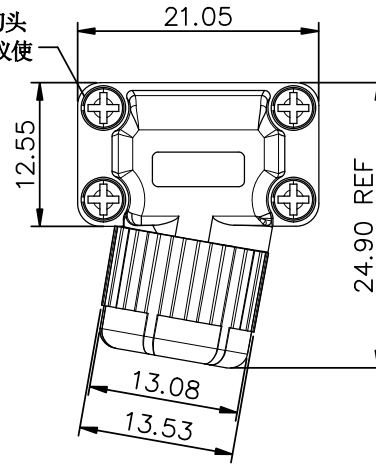
Coated outer dia: 1.1 to 1.4 dia

Cable outer dia: 5.0 to 5.4 dia

Contact Material: Copper Alloy

Contact Plating: Gold flash

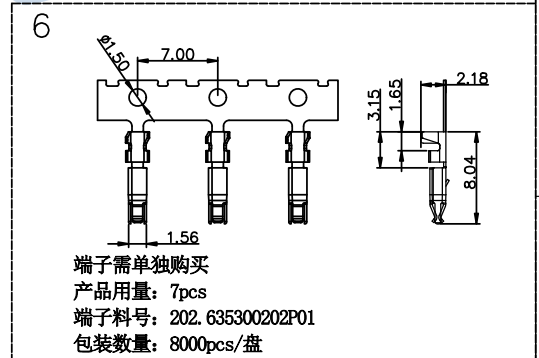
Insulator Material: PA46 (UL94V-0) Black



正向出线样式

反向出线样式

NO.	NAME	Q'TY	MATERIAL	DESCRIPTION
1	Outside shell(外壳)	1	PA66 UL94V0	Black
2	Housing(主体)	1	PA46 UL94V0	Black
3	Nut(螺母)	1	PA66 UL94V0	Black
4	Waterproof ring(防水圈)	1	Rubber UL94V2	Yellow
5	Screw(螺丝)	4	Stainless steel	M2*8.0
6	Brake Contact	7	Copper Alloy	Plating Gold



NO.	DATE	MODIFICATION DESCRIPTION	CHANGE	OPERATION		DRAW	Tim Chu	2022.11.12	SCALE	FIT
				X.X	±0.30					
				X.XX	±0.20	CHECK	Ou Yang Hui	2022.11.12	UNIT	mm
A0	2022.11.12	NEW DRAWING		X.XXX	±0.10				SIZE	A4
REV	DATE	MODIFICATION DESCRIPTION	CHANGE	Angle	±3°	APPROVE	WANG WEI	2022.11.12	SHEET	1/1
				DIM	TOL				PROJ.	☉

**JILN** 深圳市锦凌电子有限公司  
SHENZHEN JINLING ELECTRONICS CO.,LTD  
Tel: 86-755-27483253 Fax: 86-755-2997-5588

PART NO. 6353C-07S-AA-W00

TITLE: JM30伺服电机编码器线插头7P/小型斜口