

HSF RoHS

Note:

Current Rating: POWER CONTACT 7A max.
BRAKE CONTACT 1A max.
Voltage Rating: POWER CONTACT 200 VAC.
BRAKE CONTACT 100 VAC.

Insulation Resistance:>1000 MΩ at @500VDC

Withstand Voltage:1500VAC for 1 minute

Contact Resistance: 10 mΩ MAX

Operation Temperature:-40°C to +125°C

applicable Cable:

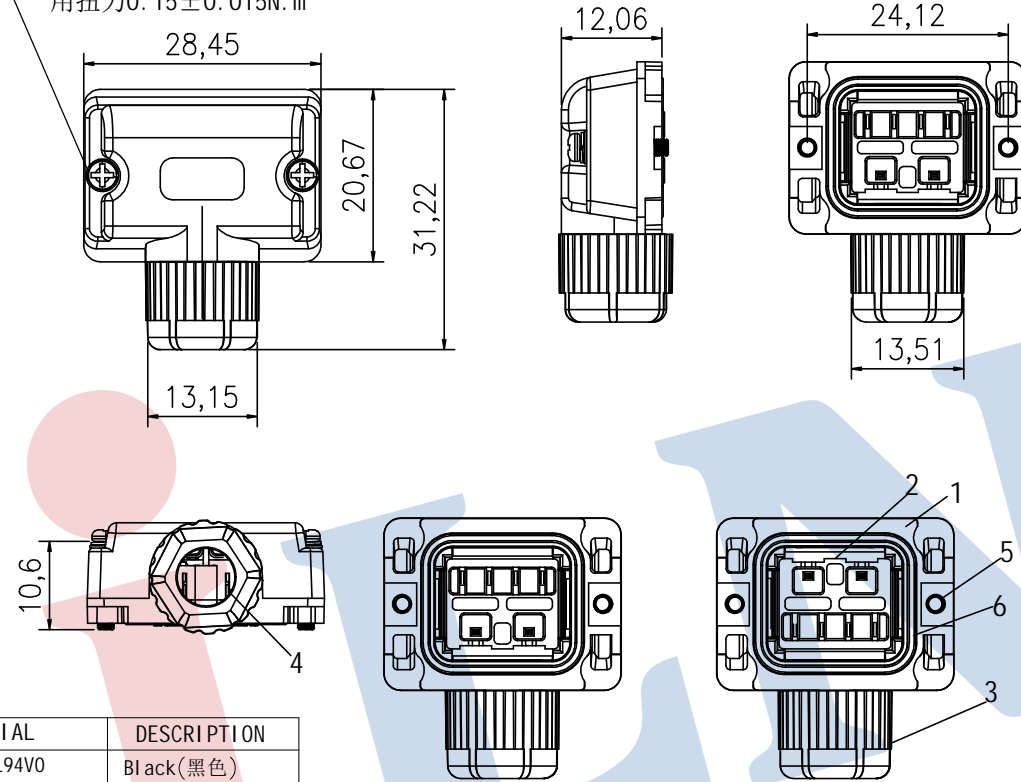
Power Contact AWG#18 to #20
Coated outer dia:1.8 to 2.0 dia
Brake Contact AWG#24 to #22
Coated outer dia:1.1 to 1.4 dia
Cable outer dia: 6.0 to 6.8 dia

Contact Material:Copper Alloy

Termination Area:Gold flash

Insulator Material:PA46 (UL94V-0) Black

1. M2螺丝要求对应使用1#螺丝刀头
2. 破坏扭力为0.3N.m (Max), 建议使用扭力0.15±0.015N.m



7

刹车端子
产品用量: 2pcs
端子料号: 202.635300202P01
包装数量: 8000pcs/盘, 需单独购买

8

正向电源端子
产品用量: 4pcs
端子料号: 202.635300102P01
包装数量: 2000pcs/盘, 需单独购买

8

反向电源端子
产品用量: 4pcs
端子料号: 202.635300102P02
包装数量: 2000pcs/盘, 需单独购买

NO.	NAME	Q' TY	MATERIAL	DESCRIPTION
1	Outside shell (外壳)	1	PA66 UL94V0	Black (黑色)
2	Housing (主体)	1	PA46 UL94V0	Black (黑色)
3	Nut (螺母)	1	PBT UL94V0	Black (黑色)
4	Waterproof ring (防水圈)	1	Rubber	Black (黑色)
5	PWM2.0*10.5半牙/环保黑锌	2	Stainless steel	M2*12
6	Waterproof ring (防水圈)	1		yellow (黄色)
7	Power Contact	4	Stainless steel	Plating Gold
8	Brake Contact	2	Copper Alloy	Plating Gold

		OPERATION		DRAW	Tim Chu	22.11.12	SCALE	FIT	JILN ® 深圳市锦凌电子有限公司 SHENZHEN JINLING ELECTRONICS CO.,LTD Tel: 86-755-2997-5806/5802 Fax: 86-755-2997-5992	
		X.X	±0.30							
		X.XX	±0.20	CHECK	Ou Yang Hui	22.11.12	UNIT	mm	PART NO. 6353C-06S-AE-W00	
		X.XXX	±0.10				SIZE	A4		
A0	2022.11.12	NEW DRAWING		APPROVE	Wang Wei	22.11.12	SHEET	1/2	TITLE: JN20伺服电机编码器插头4+2P/小型直口	
REV	DATE	MODIFICATION DESCRIPTION					CHANGE	DIM		