

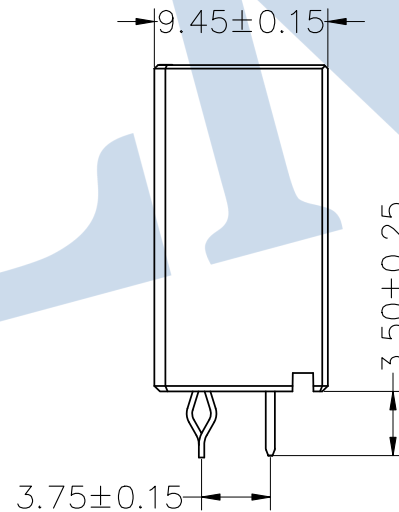
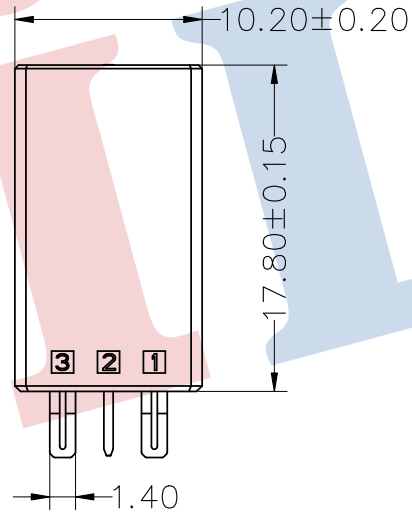
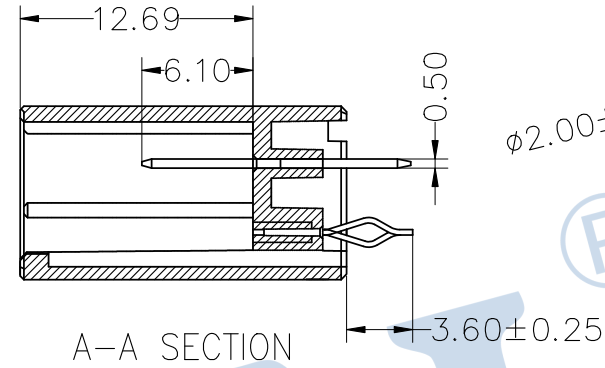
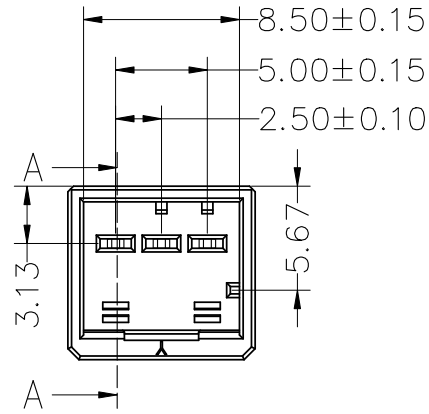
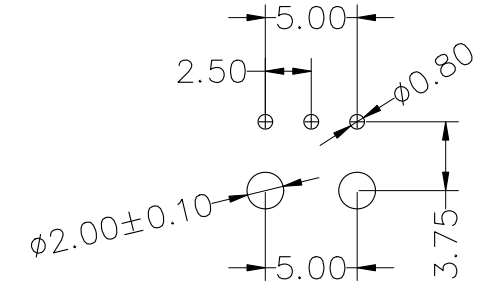
HSF RoHS

SPECIFICATIONS

Rated Current: 3.0AMP
 Contact Resistance: 20mΩ Max
 Withstand Voltage: 1000V AC/DC
 Insulation Resistance: 1000MΩ Min
 Operation Temperature: -40°C to +105°C

Contact Material: Phosphor Bronze
 Contact Plating: Au or Sn Over Ni
 Retention LEG: Copper Alloy
 Retention LEG Plating: Tin Over Ni
 Insulator Material: Polyester (UL94V-0)
 Resistance To Soldering Heat:
 245°C ±5°C, 10s (PBT insulator)
 260°C ±5°C, 10s (PA6T & PA9T & LCP insulator)

Recommended P.C.B Layout



Ordering Information

8600-1 03 XX A B 0 X

No. of Pins
1x3P

Contact Plating
 G0: Gold Flash
 G1: 3U" Gold
 G2: 5U" Gold
 G3: 10U" Gold
 G4: 15U" Gold
 G5: 30U" Gold
 S0: Gold Flash/Tin
 SN: Tin
 SM: Matte-Tin

Insulator Material
 Option
 A=BK-PBT
 B=BK-PA66
 C=BK-PA6T
 D=BK-PA46
 E=BK-PA9T
 F=BK-LCP

OPERATION

X.X	±0.30
X.XX	±0.20
X.XXX	±0.10
Angle	±3°
DIM	TOL

DRAW

YiYuSheng

19.02.15

SCALE

FIT

UNIT

mm

SIZE

A4

SHEET

1/1

PROJ.

JILN® 深圳市锦凌电子有限公司
 SHENZHEN JINLING ELECTRONICS CO.,LTD

Tel: 86-755-27483253 Fax: 86-755-2997-5588

PART NO.

8600-103XXABOX

TITLE:

2.50mm 带围墙单排3Pin针座

客户规格:

A型单排3芯公针(1318123-2)

A0	2019.02.15	NEW DRAWING							
REV	DATE	MODIFICATION DESCRIPTION		CHANGE					