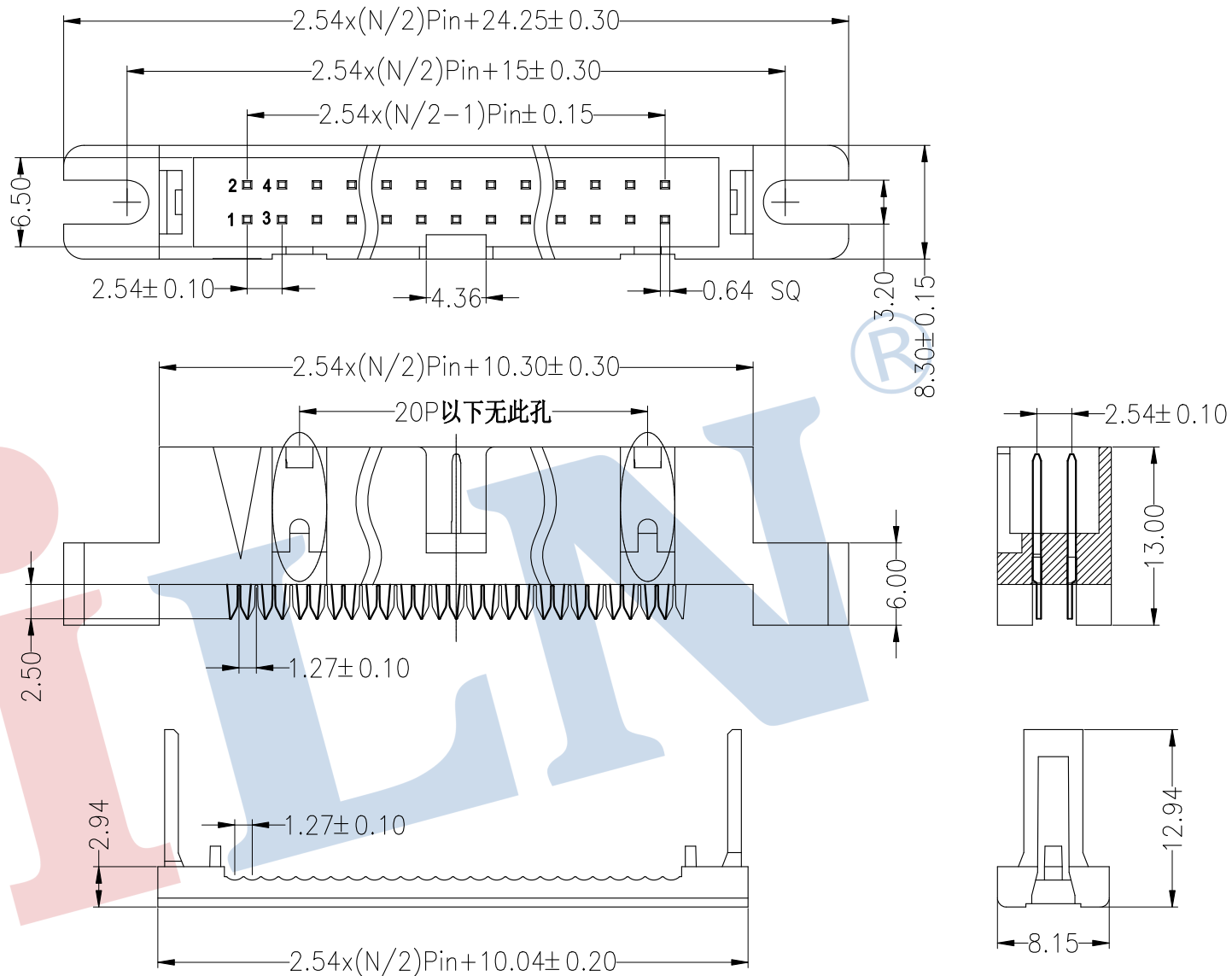


HSF RoHS

SPECIFICATIONS

Rated Current: 3.0AMP
 Contact Resistance: 20mΩ Max
 Withstand Voltage: 1000V AC/DC
 Insulation Resistance: 1000MΩ Min
 Operation Temperature: -40°C to +105°C

Contact Material: Brass
 Contact Plating: Au or Sn Over Ni
 Insulator Material: Polyester (UL94V-0)
 Resistance To Soldering Heat:
 245°C ± 5°C, 10s (PBT insulator)



Ordering Information

3910 XX XX W X N 0X

No. of Pins Per Row: 6--64
 Contact Plating:
 G0: Gold Flash
 G1: 3U" Gold
 G2: 5U" Gold
 G3: 10U" Gold
 S0: Gold Flash/Ni
 NN: Ni
 Insulator Color:
 B=Black
 G=Grey

				OPERATION		DRAW	YiYuSheng	12.03.28	SCALE	FIT	JILN ® 深圳市锦凌电子有限公司 SHENZHEN JINLING ELECTRONICS CO.,LTD Tel: 86-755-27483253 Fax: 86-755-2997-5588	
				X.X	±0.30				UNIT	mm		
				X.XX	±0.20	CHECK			SIZE	A4	PART NO.	
				X.XXX	±0.10						3910XXXXWXNOX	
A0	2012.03.28	NEW DRAWING		Angle	±3°	APPROVE			SHEET	1/1	TITLE:	
REV	DATE	MODIFICATION DESCRIPTION		DIM	TOL						2.54mm 压排式 筒牛 带定位孔 Npin	