

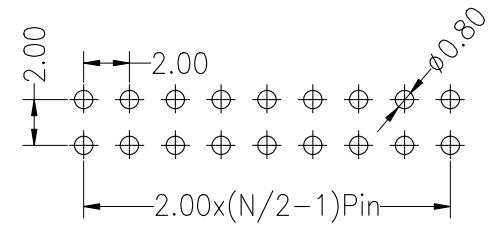
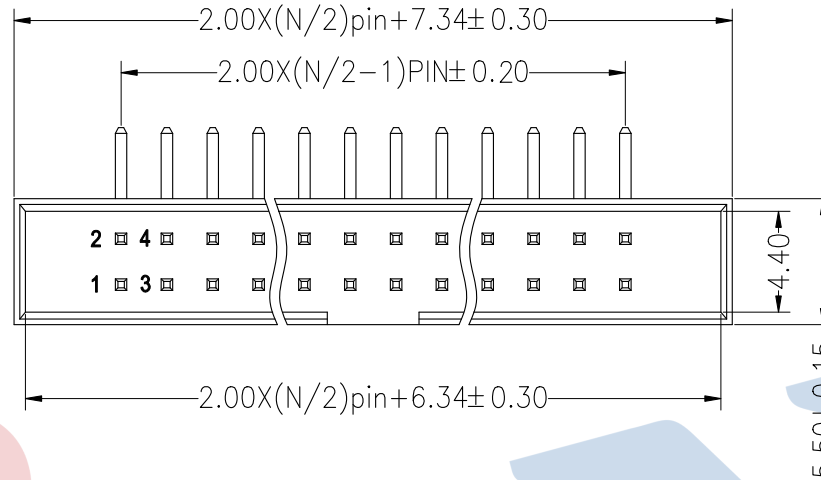


**SPECIFICATIONS**

Rated Current: 2.0AMP  
 Contact Resistance: 20mΩ Max  
 Withstand Voltage: 400V AC/DC  
 Insulation Resistance: 800MΩ Min  
 Operation Temperature: -40°C to +105°C

Contact Material: Brass  
 Contact Plating: Au or Sn Over Ni  
 Insulator Material: Polyester (UL94V-0)  
 Resistance To Soldering Heat:  
 245°C ± 5°C, 10s (PBT insulator)  
 260°C ± 5°C, 10s (PA6T & PA9T & LCP insulator)

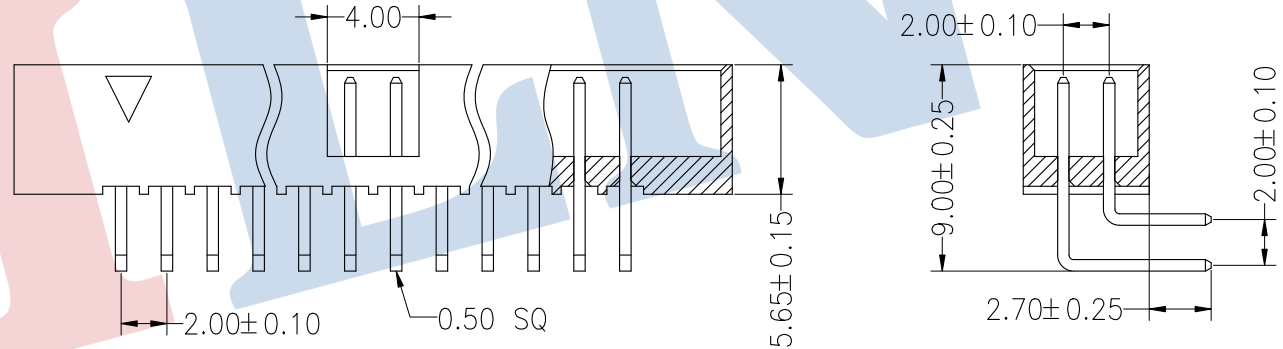
Recommended P.C.B Layout (Top Side)  
 (PCB BOARD TOLERANCE ± 0.05)



**Ordering Information**

**3220 XX R XX X B K00 A 0 X**

- No. of Pins Per Row: 6--64
- Contact Plating: G0: Gold Flash, G1: 1u" Gold, G2: 1.5u" Gold, G3: 2u" Gold, G4: 3u" Gold, G5: 5u" Gold, G6: 10u" Gold, G7: 15u" Gold, G8: 30u" Gold, S0: Gold Flash/Tin, SN: Tin
- Insulator Material Option: A=BK-PBT, C=BK-PA6T, E=BK-PA9T, F=BK-LCP
- Packing: 0=PE Bag, A=Tray, T=Tube, P=Tube+Cap



				OPERATION		DRAW	Popzhang	20.09.04	SCALE	FIT	<b>JILN</b> ® 深圳市锦凌电子有限公司 SHENZHEN JINLING ELECTRONICS CO.,LTD Tel: 86-755-27483253 Fax: 86-755-2997-5588	
				X.X	± 0.30				UNIT	mm		
A1				X.XX	± 0.20				SIZE	A4		
A0	2020.09.04	NEW DRAWING		X.XXX	± 0.10				SHEET	1/1		
REV	DATE	MODIFICATION DESCRIPTION		Angle	± 3°				PROJ.	☉		
				DIM	TOL	APPROVE		TITLE:	2.0Box Header Npin H5.65 90°			

