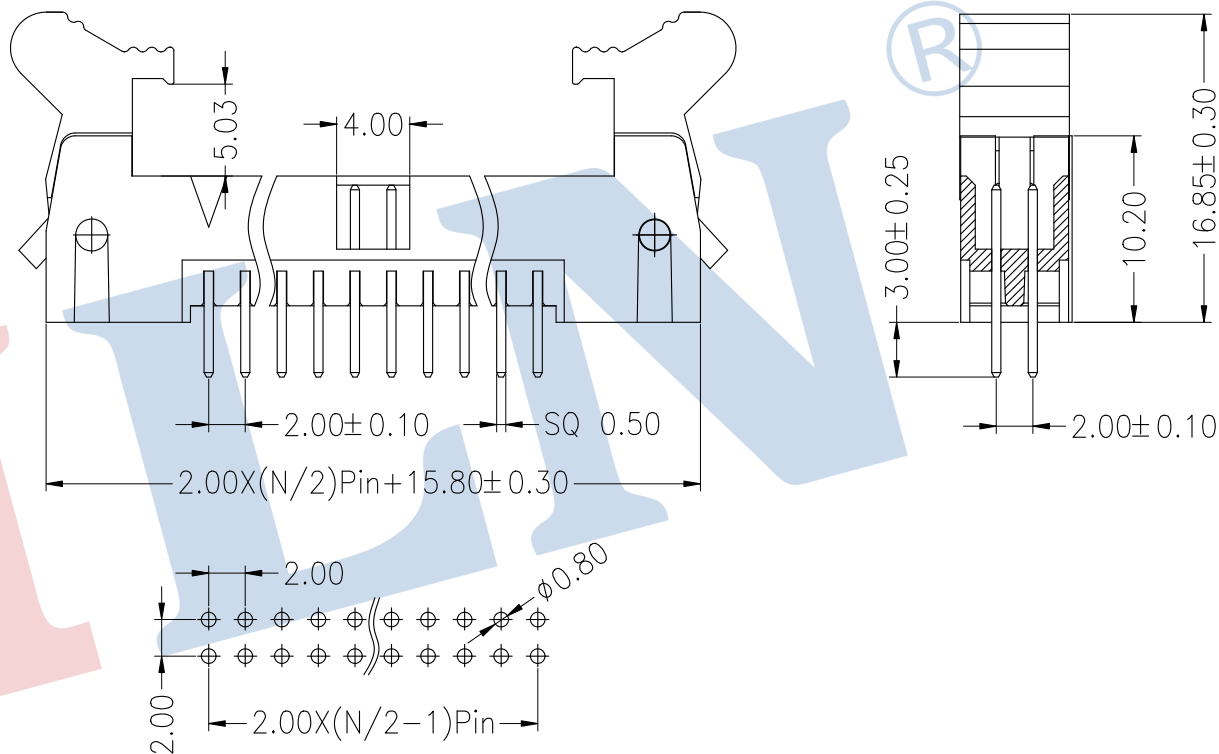
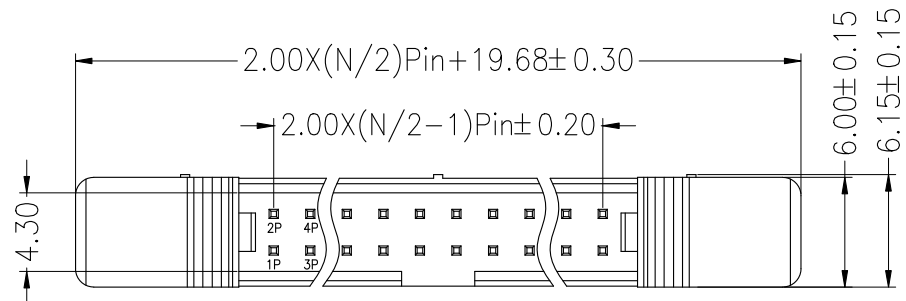




SPECIFICATIONS

Rated Current:2.0AMP
 Contact Resistance:20mΩ Max
 Withstand Voltage:500V AC/DC
 Insulation Resistance:800MΩ Min
 Operation Temperature:-40°c to +105°c

Contact Material:Brass
 Contact Plating:Au or Sn Over Ni
 Insulator Material:Polyester(UL94V-0)
 Resistance To Soldering Heat:
 245° C±5° C, 10s(PBT insulator)
 260° C±5° C, 10s(PA6T&PA9T insulator)



Ordering Information

3320 XX S XX X X M X 0X

- No.of Pins: 6--64P
- Contact Plating: G0:Gold Flash, G1:1u" Gold, G2:1.5u" Gold, G3:2u" Gold, G4:3u" Gold, G5:5u" Gold, G6:10u" Gold, G7:15u" Gold, G8:30u" Gold, S0:Gold Flash/Tin, SN:Tin
- Insulator Material Option: A=BK-PBT, C=BK-PA6T, E=BK-PA9T
- Color Type: B=Black, G=Grey
- Latch Type: M=Middle Latch
- Packing: 0=PE Bag, A=Tray, T=Tube

Recommended P.C.B Layout(Top Side)
 (PCB BOARD TOLERANCE±0.05)

| | | | | | | | | | | | | | |
|-----|------|--------------------------|--------|-----------|-------|---------|-----------|----------|----------|--------------------------------|---|--|--|
| | | | | OPERATION | | DRAW | YiYuSheng | 12.10.05 | SCALE | FIT | JILN ® 深圳市锦凌电子有限公司 SHENZHEN JINLING ELECTRONICS CO.,LTD Tel: 86-755-27483253 Fax: 86-755-2997-5588 | | |
| | | | | X.X | ±0.30 | | | | UNIT | mm | | | |
| | | | | X.XX | ±0.20 | CHECK | SIZE | A4 | PART NO. | 3320XXSXXXXMX0X | | | |
| | | | | X.XXX | ±0.10 | APPROVE | SHEET | 1/1 | TITLE: | 2.0 ejector header Npin 180°中耳 | | | |
| REV | DATE | MODIFICATION DESCRIPTION | CHANGE | DIM | TOL | | | PROJ. | | | | | |