

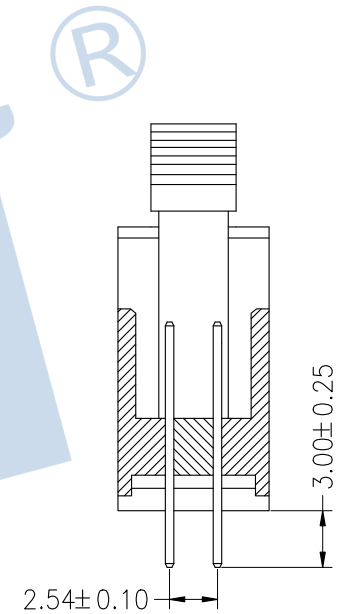
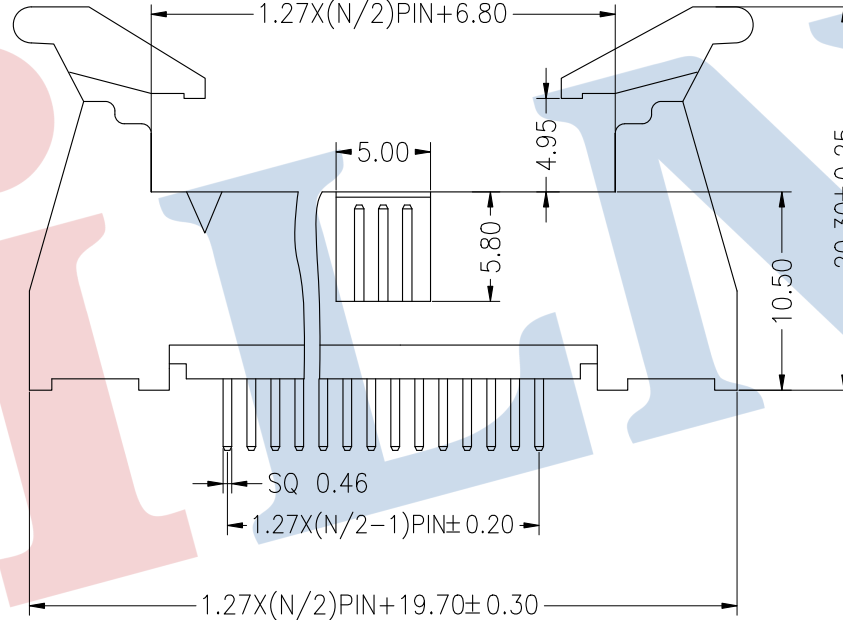
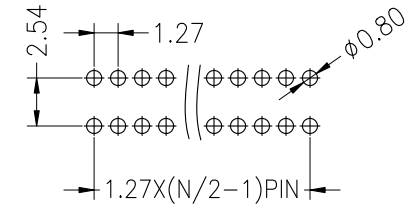
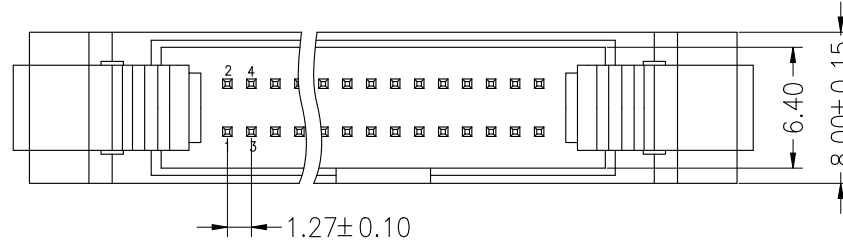


SPECIFICATIONS

Rated Current:1.0AMP
 Contact Resistance:20mΩ Max
 Withstand Voltage:500V AC/DC
 Insulation Resistance:1000MΩ Min
 Operation Temperature:-40°C to +105°C

Contact Material:Brass
 Contact Plating:Au or Sn Over Ni
 Insulator Material:Polyester(UL94V-0)
 Resistance To Soldering Heat:
 245°C±5°C, 10s(PBT insulator)
 260°C±5°C, 10s(PA6T&PA9T&LCP insulator)

Recommended P.C.B Layout(Top Side)
 (PCB BOARD TOLERANCE±0.05)



Ordering Information

3340 XX S XX X B L X 0X

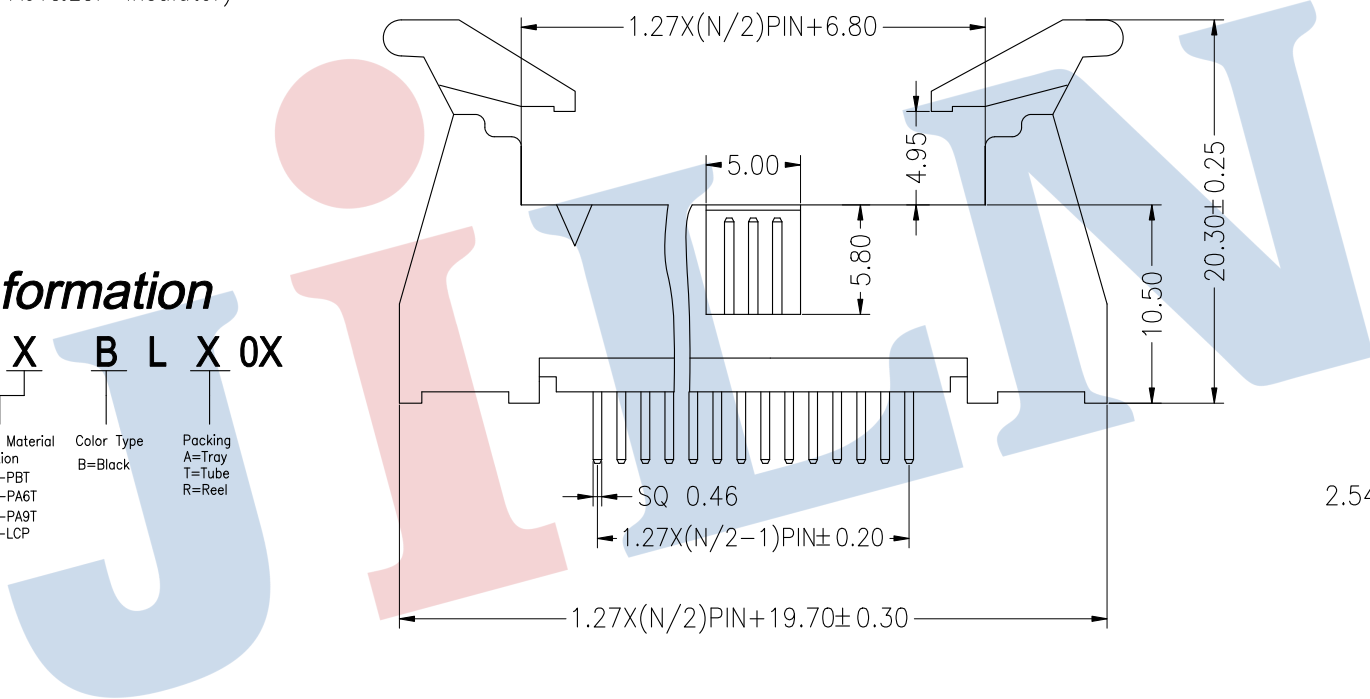
No. of Pins
10--100

Contact Plating
 G0:Gold Flash
 G1:1u" Gold
 G2:1.5u" Gold
 G3:2u" Gold
 G4:3u" Gold
 G5:5u" Gold
 G6:10u" Gold
 G7:15u" Gold
 G8:30u" Gold
 S0:Gold Flash/Tin
 SN:Tin

Insulator Material Option
 A=BK-PBT
 C=BK-PA6T
 E=BK-PA9T
 F=BK-LCP

Color Type
 B=Black

Packing
 A=Tray
 T=Tube
 R=Reel



				OPERATION		DRAW	Wei Chen	21.04.14	SCALE	FIT	JILN ® 深圳市锦凌电子有限公司 SHENZHEN JINLING ELECTRONICS CO.,LTD Tel: 86-755-27483253 Fax: 86-755-2997-5588	
				X.X	±0.30				UNIT	mm		
				X.XX	±0.20	CHECK			SIZE	A4	PART NO.	3340XXSXXBLX0X
				X.XXX	±0.10				SHEET	1/1	TITLE:	1.27*2.54mm ejector header Npin 180°
REV	DATE	MODIFICATION DESCRIPTION	CHANGE	DIM	TOL	APPROVE			PROJ.	☯		