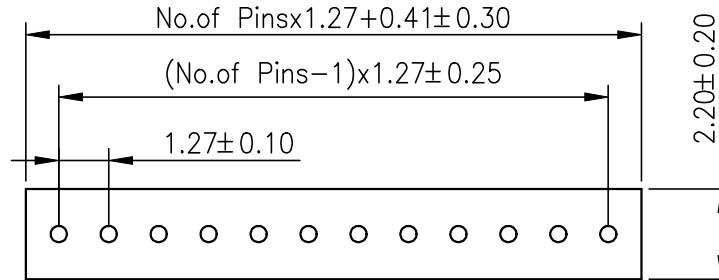


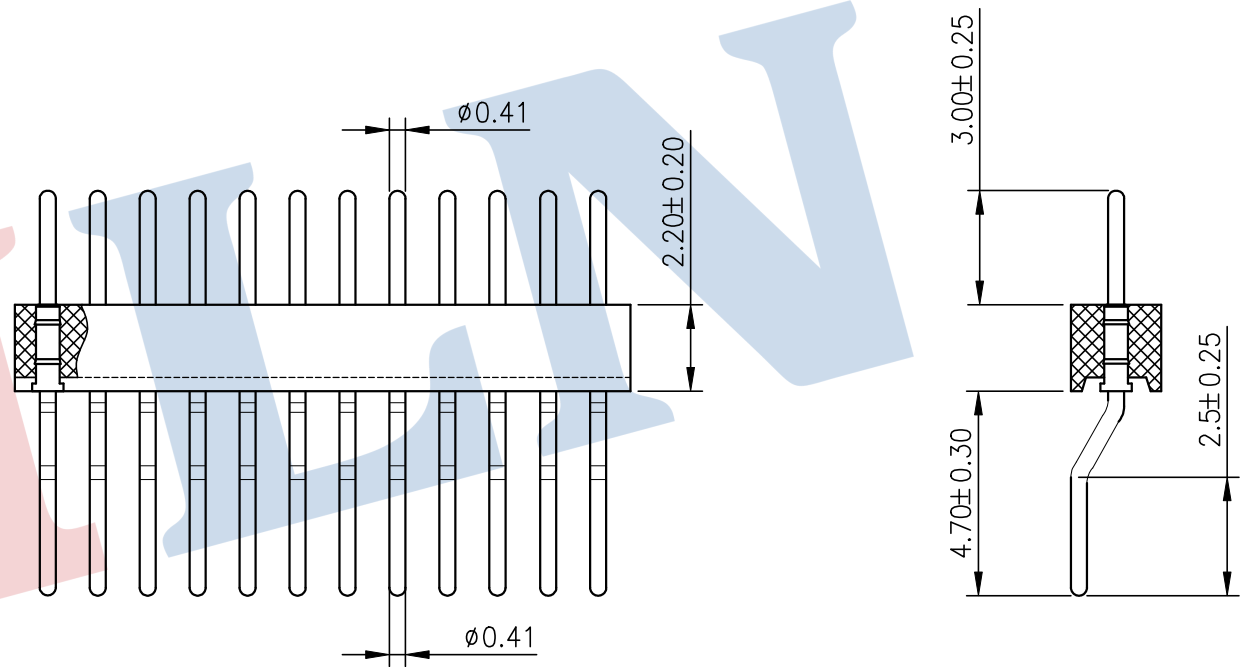
Technical Specs:

Insulator: Black glass filled polyester PPS-GF30-FR
Flammability: UL 94V-O
Sleeve: Brass
Accepted pin: Ø0.41 mm
Mechanical life: min500 cycles
Rated current: 1A
Dielectric resistance: Min 1000V RMS
Coplanarity SMD terminations: max 0.1 mm(measured on 25 mm long connectors)



Ordering Information

3614 22 1 XX Z XX 101 0 X
 Plastics Height: 16=1.6mm, 22=2.2mm
 No. of Pins Per Row: 1X50
 Contact Plating: SN: Tin, G0: Gold Flash, G2: 2U" Gold, G3: 3U" Gold, G4: 5U" Gold, G5: 10U" Gold, S0: Gold Flash/Tin, Standard: G0
 Pin Length: 101=10.1mm



				OPERATION		DRAW	YiYuSheng	12.07.23	SCALE	FIT	JILN ® 深圳市锦凌电子有限公司 SHENZHEN JINLING ELECTRONICS CO.,LTD Tel: 86-755-27483253 Fax: 86-755-2997-5588		
				X.X	±0.30				UNIT	mm			
				X.XX	±0.20	CHECK		SIZE	A4	PART NO.			3614221XXZXX1010X
				X.XXX	±0.10	APPROVE		SHEET	1/1	TITLE:			1.27X2.2 Machine Pin Header 90° SMT L=10.1mm
REV	DATE	MODIFICATION DESCRIPTION	CHANGE	DIM	TOL			PROJ.					