

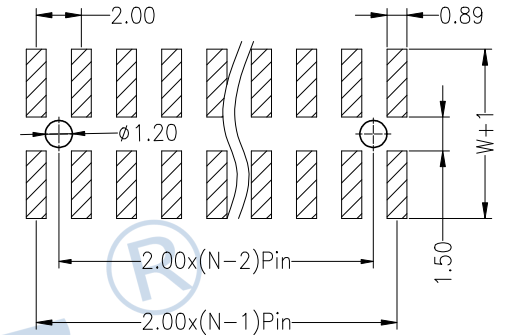
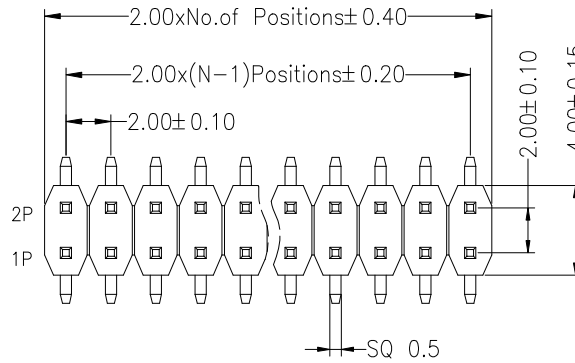


**SPECIFICATIONS**

Rated Current: 2.0AMP  
 Contact Resistance: 20mΩ Max  
 Withstand Voltage: 500V AC/DC  
 Insulation Resistance: 1000MΩ Min  
 Operation Temperature: -40°C to +105°C

Contact Material: Brass  
 Contact Plating: Au Over Ni  
 Insulator Material: Polyester (UL94V-0)  
 Resistance To Soldering Heat:  
 260°C ± 5°C, 10s (PA6T & PA9T & LCP insulator)

Recommended P.C.B Layout (Top Side)  
 (PCB BOARD TOLERANCE ± 0.05)



**Ordering Information**

**13XX 22 XX X X XX M XXX X 0X**

High.of Plastic  
 10=H1.0mm  
 15=H1.5mm  
 20=H2.0mm  
 25=H2.5mm  
 30=H3.0mm

No.of Pins Per Row  
 02~40P

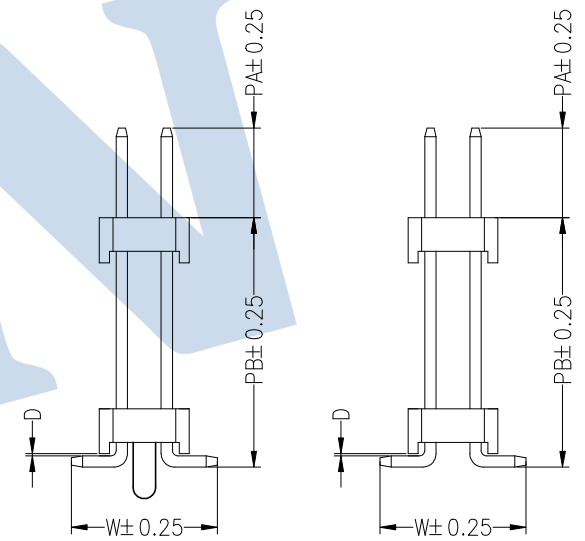
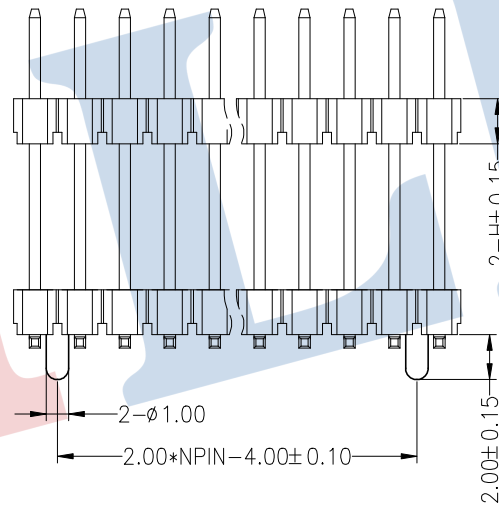
Insulator Material Option  
 C=BK-PA6T  
 E=BK-PA9T  
 F=BK-LCP

Post  
 W=With Post  
 N=W/O Post

Contact Plating  
 G0:Gold Flash  
 G1:1u" Gold  
 G2:1.5u" Gold  
 G3:2u" Gold  
 G4:3u" Gold  
 G5:5u" Gold  
 G6:10u" Gold  
 G7:15u" Gold  
 G8:30u" Gold  
 S0:Gold Flash/Tin  
 SN: Tin

Pin Length

Packing  
 O=PE Bag  
 A=Tray  
 T=Tube  
 P=Tube+Cap  
 R=Reel+Cap  
 M=Reel+Mylar



Dimension antitheses list			
ITEM	PA	PB	W
Alternate	XXX	XXX	XXX

				OPERATION		DRAW	RICH LIN	23.06.10	SCALE	FIT	<b>JILN</b> ® 深圳市锦凌电子有限公司 SHENZHEN JINLING ELECTRONICS CO.,LTD Tel: 86-755-27483253 Fax: 86-755-2997-5992	
				X.X	± 0.30				UNIT	mm		
				X.XX	± 0.20				SIZE	A4		
				X.XXX	± 0.10				SHEET	1/1		
A0	2023.06.10	NEW DRAWING		Angle	± 3°	PROJ.	☉	PART NO.	13XX22XXXXXXMXXXX0X			
REV	DATE	MODIFICATION DESCRIPTION		DIM	TOL	APPROVE		TITLE:	2.0mm Pin Header SMT			
1	2	3	4	5	6	7	8	9				